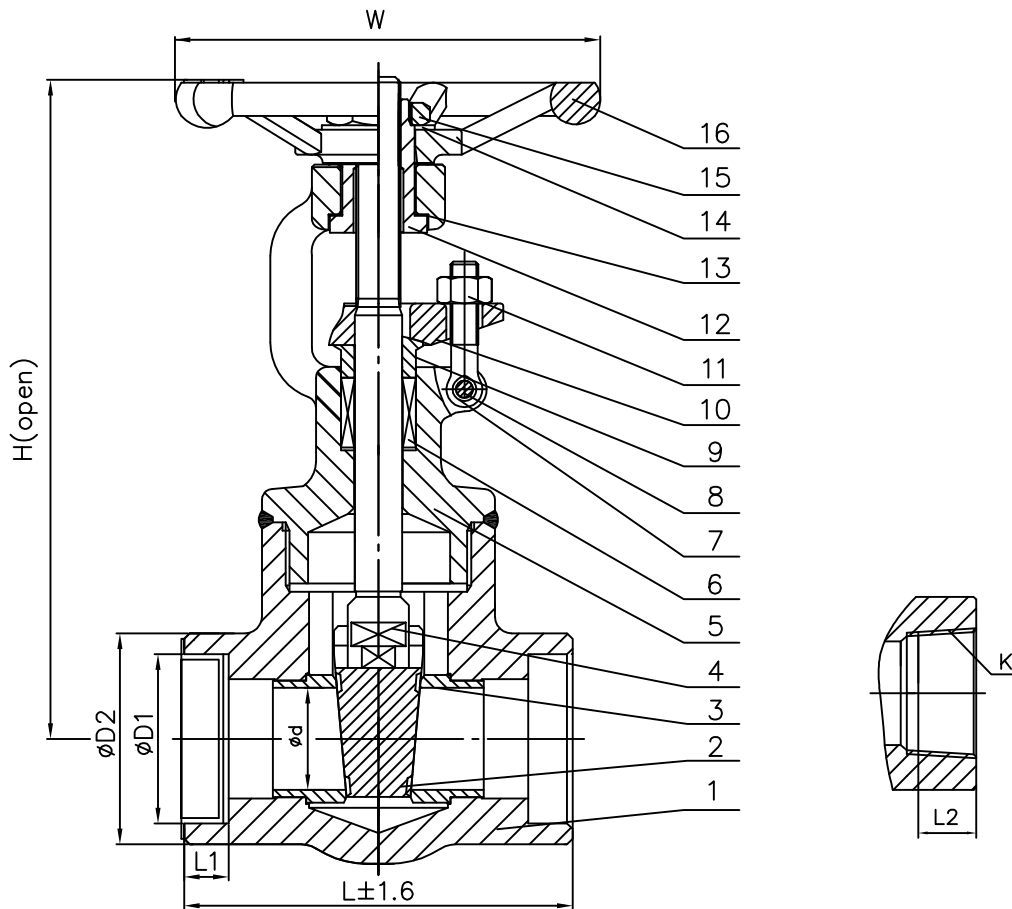


Class 800 OS&Y Welded Bonnet Gate Valve F316 (API Trim 12) NACE



SIZE	d	L	W	D2	D1	H(open)	L1	K	L2
15	1/2	79	100	35	21.7	166	10	1/2	15.5
20	3/4	92	100	42	27.2	169	13	3/4	16.5
25	1	111	125	51	33.9	193	13	1	19.5
32	1 1/4	120	160	60	42.7	230	13	1 1/4	21
40	1 1/2	120	160	64	48.8	246	13	1 1/2	21
50	2	140	180	80	61.2	283	16	2	23

NO.	PART NAME	MATERIAL	QTY
1	Body	A182 F316	1
2	Disc	A276-F316	1
3	Seat ring	A276-F316 + HF	2
4	Stem	A276-F316	1
5	Bonnet	F316	1
6	Packing	GRAPHITE WITH CORROSION INHIBITOR AND DIE FORMED RINGS	1Set
7	Gland Bolt	A193-B8M	2
8	Gland Bolt Pin	A276-F316	2
9	Packing Flange	A276-F316	1
10	Gland Flange	F316	1
11	Nut	A194-8M	2
12	Stem Nut	A276-410	1
13	Washer	A276-410	2
14	Nameplate	STAINLESS STEEL	1
15	Hand Wheel Nut	A194-8MA	1
16	Hand Wheel	A197	1

WWW.WILLIAMSVALVE.COM

WILLIAMS

VALVE CORPORATION

38-52 REVIEW AVENUE
LONG ISLAND CITY, NY 11101

TEL: 718-392-1660
FAX: 718-729-5106

TITLE: FORGED STAINLESS STEEL WELDED BONNET GATE VALVE - CLASS 800 - API TRIM 12		
MATERIAL: F316	UNITS: Inch, mm	
CLASS: 800	DATE: 01/01/12	SCALE: N.T.S.
SIZE: 1/2 - 2"	FIG. No.: FS80TXS-62N 316 WB (sw. by thr. ends) FS80SW-62N 316 WB (sw. ends) FS80T-62N 316 WB (thr. ends)	
DRAWN BY: F.J.		CHK'D & APR'D BY: R.P.
REV: 1		DWG No.: 50GA120080

NO.	DATE	DESCRIPTION	PRP'D	REV'D	APP'D
△	1/1/12	ISSUED FOR PROPOSAL			

MARKING SYSTEM	MSS-SP-25	INSPECTION & TEST: API 598			
FACE TO FACE	API 602	SHELL	HYDRO	3046PSI	
WALL THICKNESS	BS1868	SEAT	AIR	80PSI	
DESIGNED	API 602	BACK SEAT	HYDRO	2234PSI	
NACE MR 0175					