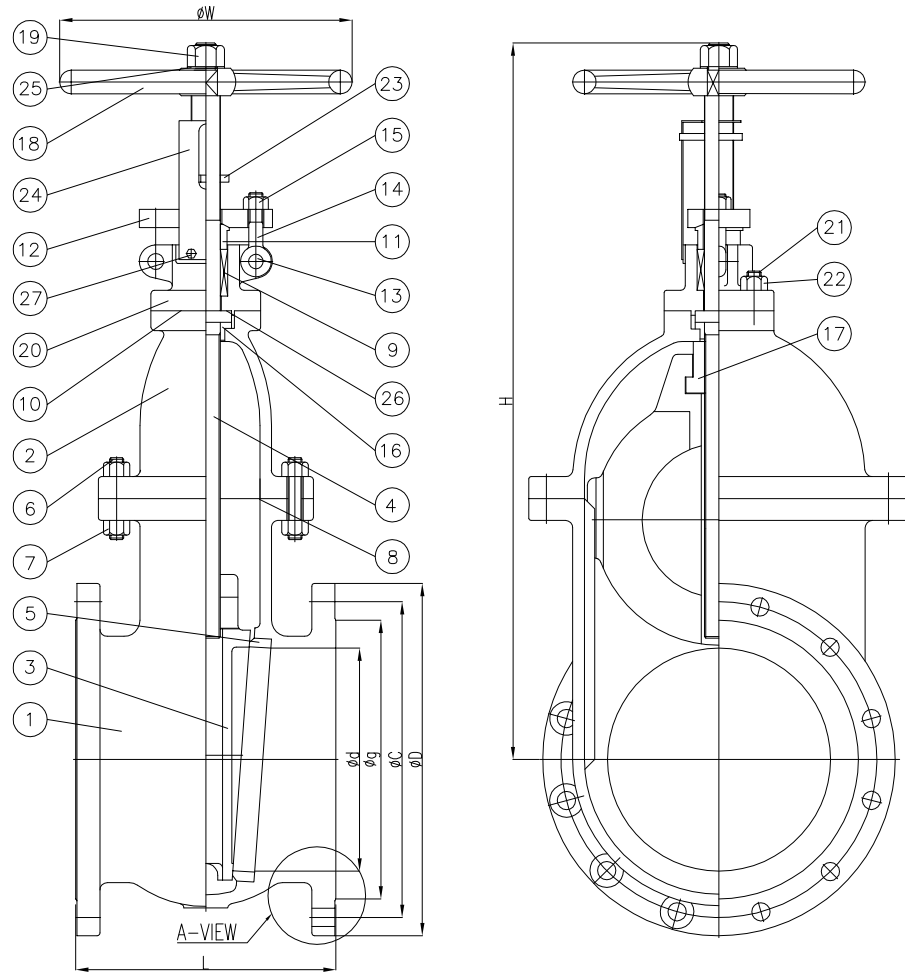


# Wm. E. Williams No.N15F2N Class 150 RF NRS Gate Valve ASTM A 216 WCB (API Trim 8) NACE

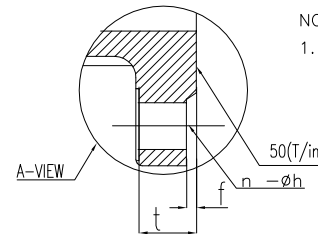


## BILL OF MATERIALS

NO.	PART NAME	MATERIAL	Q'TY
1	BODY	A216Gr WCB	1
2	BONNET	A216Gr WCB	1
3	DISC	A216Gr WCB + 13Cr Faced	1
4	STEM	A479Gr 410 SS	1
5	SEAT RING	A105N + HF	2
6	BONNET BOLT	A193Gr B7M	1SET
7	BONNET NUT	A194Gr 2HM	1SET
8	BONNET GASKET	304 + GRAPHITE	1
9	PACKING	GRAPHITE WITH CORROSION INHIBITOR AND DIE FORMED RINGS	1SET
10	P/BOX GASKET	TBA#2100	1
11	GLAND RING	A479Gr 410	1
12	GLAND FLANGE	WCB	1
13	HINGE PIN	410 SS	2
14	GLAND BOLT	A193Gr B7M	2
15	GLAND NUT	A194Gr 2HM	2
16	THRUST BUSH	410 SS	1
17	STEM NUT	D42	1
18	HAND WHEEL	A197	1
19	HANDLE NUT	A307Gr B	1
20	PACKING BOX	A216Gr WCB	1
21	BOX BOLT	A193Gr B7M	4
22	BOX NUT	A194Gr 2HM	4
23	INDICATOR	STEEL	2
24	INDICATOR PLATE	STEEL	1
25	HANDLE WASHER	STEEL	1
26	THRUST WASHER	410	1
27	PLATE BOLT	A307Gr B	2

	d	L	H	W	D	C	g	t	f	n-h
2.00	2.00	7.00	12.75	7.00	6.00	4.75	3.62	0.625	0.060	4-0.75
3.00	3.00	8.00	15.00	7.87	7.50	6.00	5.00	0.750	0.060	4-0.75
4.00	4.00	9.00	17.75	8.87	9.00	7.50	6.18	0.940	0.060	8-0.75
6.00	6.00	10.50	23.00	12.50	11.00	9.50	8.50	1.000	0.060	8-0.86
8.00	8.00	11.50	27.00	12.50	13.50	11.75	10.62	1.125	0.060	8-0.86
10.00	10.00	13.00	31.62	14.00	16.00	14.25	12.75	1.187	0.060	12-1.00
12.00	12.00	14.00	35.62	15.75	19.00	17.00	15.00	1.250	0.060	12-1.00
14.00	13.25	15.00	41.00	17.75	21.00	18.75	16.25	1.375	0.060	12-1.12
16.00	15.25	16.00	43.37	19.62	23.50	21.25	18.50	1.437	0.060	16-1.12

Remark: Larger sizes available upon request.



NOTE:

1. FLEXIBLE WEDGE.

						MARKING SYSTEM	MSS-SP-25	INSPECTION & TEST: API 598	MATERIAL: ASTM A216 GR.WCB	UNITS: Inch, mm	
						DIM.OF FLANGE	ANSI B16.5	SHELL HYDRO 450PSI	CLASS: 150	DATE: 01/01/12	SCALE: N.T.S.
						FACE TO FACE	ANSI B16.10	SEAT AIR 80PSI	SIZE: 2" - 16"		FIG. No.: N15F-2N
						WALL THICKNESS	API 600	BACK SEAT HYDRO 315PSI	DRAWN BY: F.J.		
NO.	DATE	DESCRIPTION	PRP'D	REV'D	APP'D	DESIGNED	API 600, ANSI B16.34	NACE MR 0175	CHK'D & APR'D BY: R.P.	REV: 1	DWG No.: 60NRSGA120028

WILLIAM E. WILLIAMS VALVE CORPORATION  
 38-52 REVIEW AVENUE LONG ISLAND CITY, NY 11101  
 TEL: 718-392-1660 FAX: 718-729-5106

TITLE: CAST STEEL NRS GATE VALVE - CLASS 150