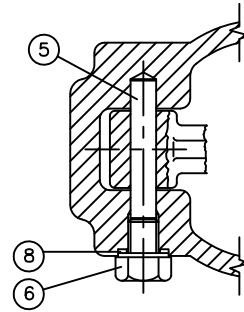
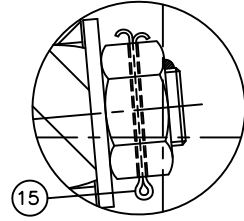
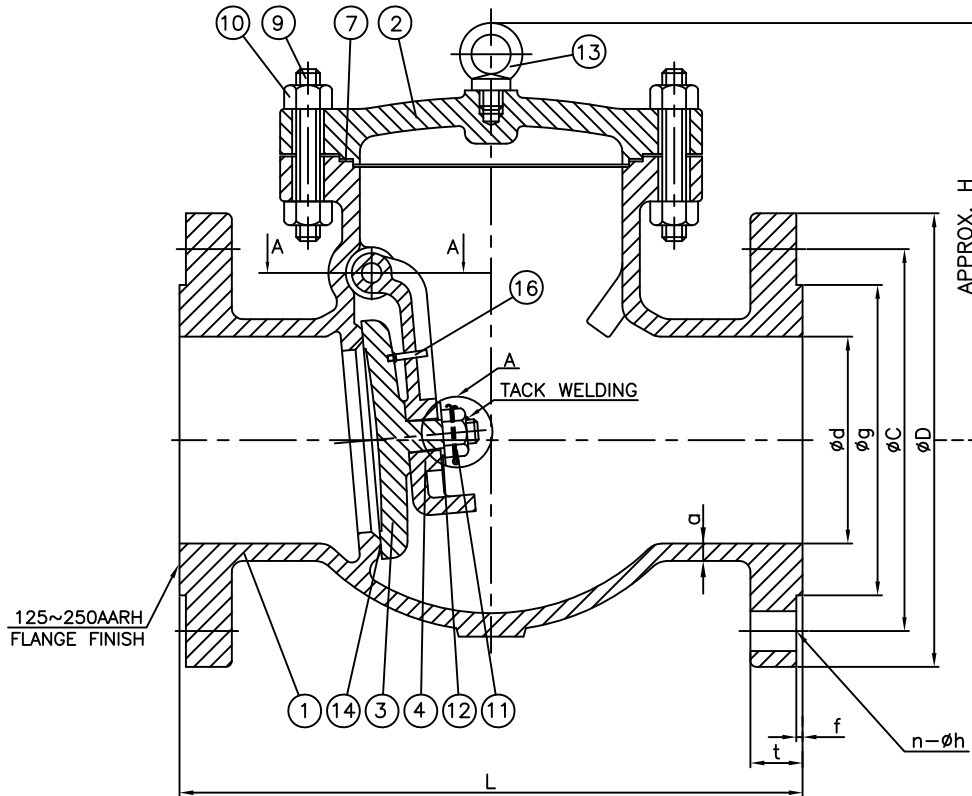


Wm. E. Williams No. S151F6-316 Class 150 R.F. Swing Check Valve ASTM A 351 CF8M (API TRIM 10)



BILL OF MATERIAL				
NO.	PART NAME	MATERIAL	Q'TY	REMARK
1	BODY	A351-CF8M	1	
2	COVER	A351-CF8M	1	
3	DISC	A351-CF8M	1	
4	ARM	A351-CF8M	1	
5	PIN	A479-316	1	
6	PLUG BOLT	A479-316	1	
7	GASKET	SEE NOTE 1.	1	
8	PLUG GASKET	SS316	1	SERRATED
9	COVER BOLT	A193-B8	1SET	
10	NUT	A194-8	1SET	
11	DISC NUT	A194-8	1	
12	WASHER	A240-316	1	
13	EYE BOLT	A193-B8	1	6" & LARGER
14	SEAT RING	A351-CF8M	N/A	INTEGRAL FACED
15	SPLIT PIN	A479-316	1	
16	STOPPER PIN	SS316	2	

NOTE:
1. GRAPHITE OR PTFE: (SPECIFY WHEN ORDERED)

UNIT : mm

SIZE (Inch)	d	L	FLANGE						H
			D	C	g	t	f	n-h	
2	50.8	203.2	152.4	120.7	91.9	15.8	1.6	4-19.1	135
2½	63.5	215.9	177.8	139.7	104.6	17.3	1.6	4-19.1	150
3	76.2	241.3	190.5	152.4	127.0	19.1	1.6	4-19.1	160
4	101.6	292.1	228.6	190.5	157.2	24.0	1.6	8-19.1	221
6	152.4	355.6	279.4	241.3	215.9	25.5	1.6	8-22.2	248
8	203.2	495.3	342.9	298.5	269.7	28.5	1.6	8-22.2	394
10	254.0	622.3	406.4	362.0	323.9	30.0	1.6	12-25.4	445
12	304.8	698.5	482.6	431.8	381.0	31.8	1.6	12-25.4	509
14	336.6	787.4	533.4	476.3	412.8	34.9	1.6	12-28.6	556
16	387.4	863.6	596.9	539.8	469.9	36.7	1.6	16-28.6	610
18	438.2	977.9	635.0	577.9	533.4	39.7	1.6	16-31.8	647
20	489.0	977.9	698.5	635.0	584.2	42.7	1.6	20-31.8	735
24	590.6	1295.4	812.8	749.3	692.2	47.6	1.6	20-34.9	784

7/30/15	RELEASED	F.J.	R.P.	R.P.	MARKING SYSTEM	MSS-SP-25	INSPECTION & TEST: API 598	MATERIAL: A351-CF8M	UNITS: Inch, mm	
12/3/14	RELEASED	F.J.	R.P.	R.P.	DIM.OF FLANGE	ANSI B16.5	SHELL HYDRO 425PSI	CLASS: 150	DATE: 12/03/14	SCALE: N.T.S.
					FACE TO FACE	ANSI B16.10	SEAT AIR 80PSI	SIZE: 2" - 24"		FIG. No.: S151F6-316
							BACK SEAT HYDRO 325PSI	DRAWN BY: F.J.		
NO.	DATE	DESCRIPTION	PRP'D	REV'D	APP'D	DESIGNED	API 594, ANSI B16.34	CHK'D & APR'D BY: R.P.	REV: 2	DWG No.: 11SC120002-66

WILLIAM E. WILLIAMS VALVE CORPORATION
 38-52 REVIEW AVENUE LONG ISLAND CITY, NY 11101
 TEL: 718-392-1660 FAX: 718-729-5106

TITLE: STAINLESS STEEL SWING CHECK VALVE CLASS 150 - API TRIM 10