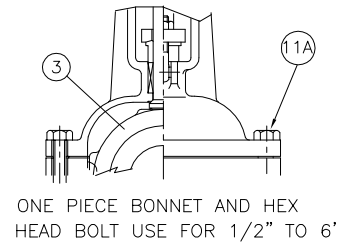
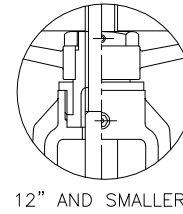
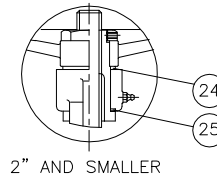
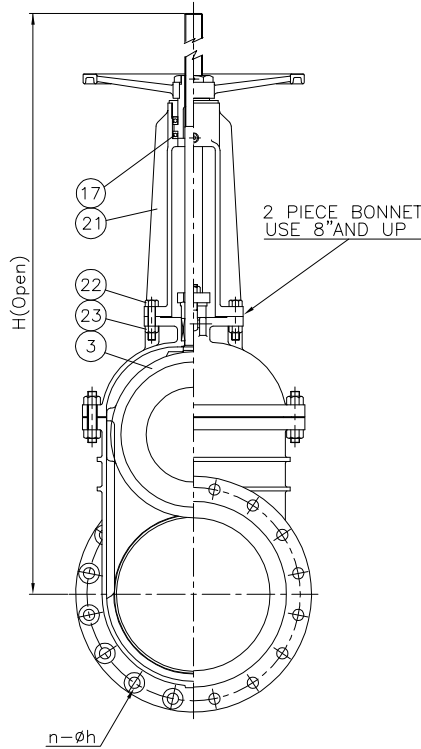
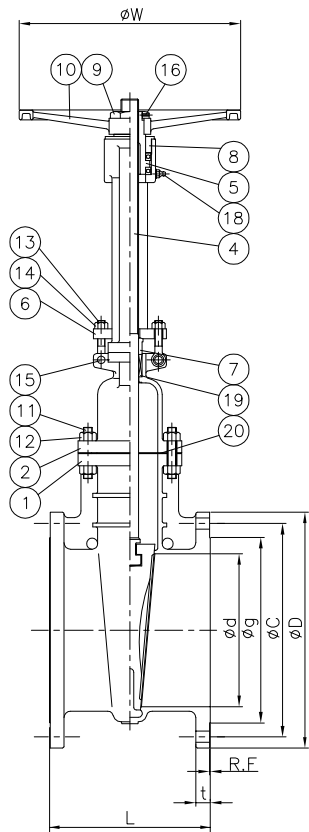


Wm. E. Williams No. S15F6-316 Class 150 RF OS&Y Gate Valve ASTM A351 CF8M (API TRIM 10)



BILL OF MATERIAL

NO.	PART NAME	MATERIAL	Q'TY
1	BODY	A351-CF8M	1
2	BONNET	A351-CF8M	1
3	WEDGE	A351-CF8M	1
4	STEM	A276-316	1
5	YOKE SLEEVE	A439-D2C	1
6	GLAND FLANGE	A351-CF8	1
7	PACKING GLAND	A276-316	1
8	YOKE CAP	A351-CF8	1
9	HANDWHEEL NUT	A276-304	1
10	HANDWHEEL	A536	1
11	BONNET BOLT	A193-B8	1SET
11A	HEX HEAD BOLT	A139-B8	1SET
12	NUT	A194-8	1SET
13	HINGED EYE BOLT	A276-304	2
14	NUT	A194-8	2
15	HINGE PIN	A276-304	2
16	SET SCREW	A276-304	1
17	THRUST BALL BEARING	STEEL	2SET
18	GREASE NIPPLE	STEEL	1
19	PACKING	SEE NOTE 1	1SET
20	GASKET	SEE NOTE 1	1
21	YOKE	A351-CF8	1
22	YOKE BOLT	A193-B8	4
23	NUT	A194-8	4
24	THRUST WASHER	A204-304	1
25	WASHER	A204-304	1

NOTE:

1. GRAPHITE OR PTFE: (SPECIFY WHEN ORDERED)

SIZE	L	d	D	C	g	t	R.F	n-øh	W	H
1/2	4.25	0.50	3.50	2.37	1.37	0.44	0.060	4-0.63	4.00	7.50
3/4	4.63	0.75	3.87	2.75	1.68	0.44	0.060	4-0.63	4.00	8.12
1	5.00	1.00	4.25	3.12	2.00	0.44	0.060	4-0.63	5.00	9.12
1-1/2	6.50	1.50	5.00	3.87	2.87	0.57	0.060	4-0.63	6.50	11.87
2	7.00	2.00	6.00	4.75	3.62	0.63	0.060	4-0.75	7.00	14.50
2-1/2	7.50	2.50	7.00	5.50	4.13	0.687	0.060	4-0.75	7.00	14.50
3	8.00	3.00	7.50	6.00	5.00	0.750	0.060	4-0.75	8.00	18.00
4	9.00	4.00	9.00	7.50	6.18	0.937	0.060	8-0.75	9.00	22.00
6	10.50	6.00	11.00	9.50	8.50	1.000	0.060	8-0.875	10.00	29.50
8	11.50	8.00	13.50	11.75	10.62	1.125	0.060	8-0.875	13.00	37.31
10	13.00	10.00	16.00	14.25	12.75	1.125	0.060	12-1.00	14.00	46.50
12	14.00	12.00	19.00	17.00	15.00	1.187	0.060	12-1.00	15.87	52.50
14	15.00	13.25	21.00	18.75	16.25	1.375	0.060	12-1.125	24.00	57.31
16	16.00	15.25	23.50	21.25	18.50	1.437	0.060	16-1.125	28.00	64.50
18	17.00	17.25	25.00	22.75	21.00	1.567	0.060	16-1.125	28.00	73.00
20	18.00	19.25	27.50	25.00	23.00	1.687	0.060	20-1.250	32.00	80.50
24	20.00	23.25	32.00	29.50	27.25	1.875	0.060	20-1.375	32.00	96.31

Remark: Larger sizes available upon request.

						MARKING SYSTEM	MSS-SP-25	INSPECTION & TEST: API 598	MATERIAL: A351-CF8M	UNITS: Inch, mm	
						DIM.OF FLANGE	ANSI B16.5	SHELL HYDRO 425PSI	CLASS: 150	DATE: 01/01/12	SCALE: N.T.S.
						FACE TO FACE	ANSI B16.10	SEAT AIR 80PSI	SIZE: 1/2" - 24"		FIG. No.: S15F6-316
								BACK SEAT HYDRO 325PSI	DRAWN BY: F.J.		
NO.	DATE	DESCRIPTION	PRP'D	REV'D	APP'D	DESIGNED	API 603, ANSI B16.34		CHK'D & APR'D BY: R.P.	REV: 1	DWG No.: 11GA120001

WILLIAM E. VALVE CORPORATION
 WWW.WILLIAMSVVALVE.COM
 38-52 REVIEW AVENUE
 LONG ISLAND CITY, NY 11101
 TEL: 718-392-1660
 FAX: 718-729-5106

TITLE: STAINLESS STEEL GATE VALVE
 CLASS 150 - API TRIM 10 - R,F B,B OS&Y