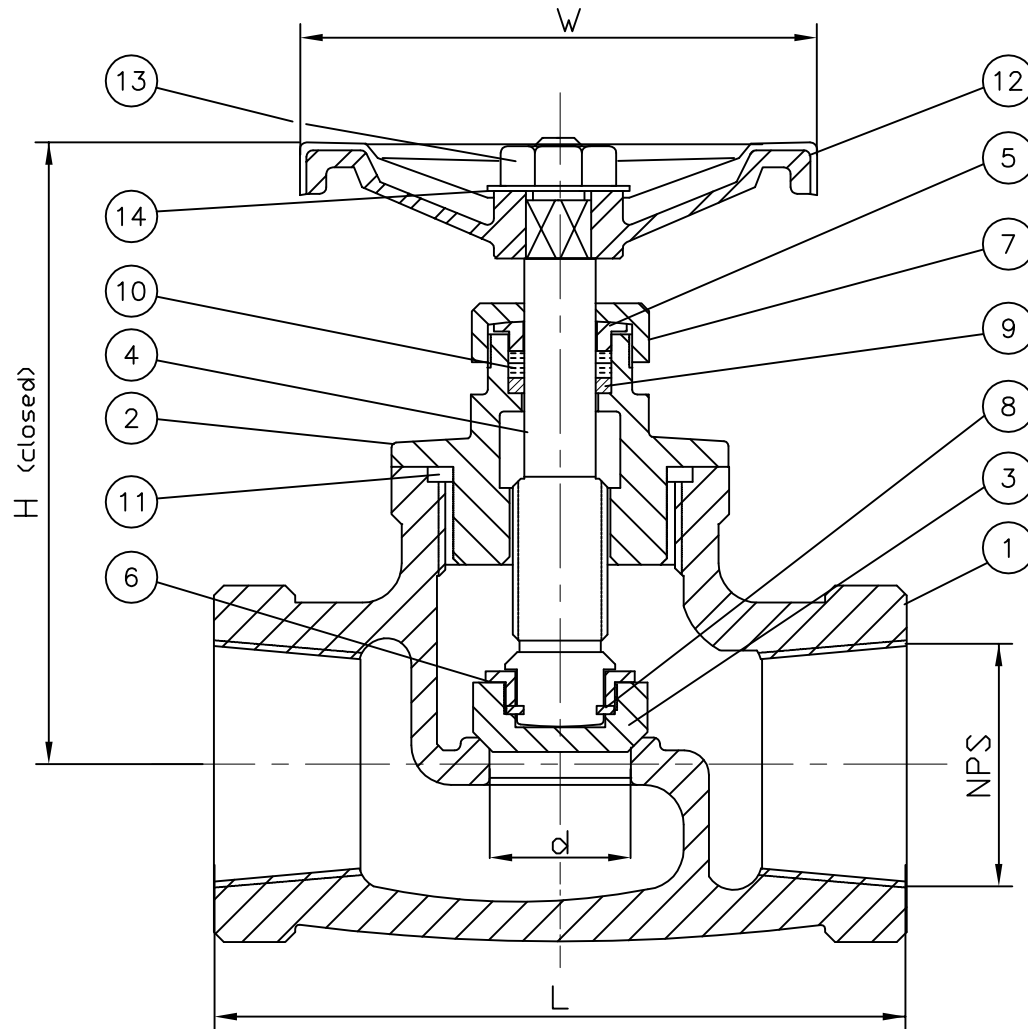


Wm. E. Williams No. S202T6 316 Class 200 WOG Globe Valve ASTM A351 CF8M (API TRIM 10)



| BILL OF MATERIAL | | |
|------------------|------------------|-------------|
| NO. | PART NAME | MATERIAL |
| 1 | BODY | A351-CF8M |
| 2 | BONNET | A351-CF8M |
| 3 | DISC | A182 F316 |
| 4 | STEM | A182 F316 |
| 5 | GLAND | A182 F316 |
| 6 | STEM NUT | A182 F316 |
| 7 | GLAND NUT | A351-CF8M |
| 8 | STEM WASHER | A182 F316 |
| 9 | PACKING COLLAR | A182 F316 |
| 10 | PACKING | TEFLON PTFE |
| 11 | GASKET | TEFLON PTFE |
| 12 | HANDWHEEL | A126 |
| 13 | HANDWHEEL HEXNUT | A276-304 |
| 14 | I.D. LABEL | ALUMINUM |

FEATURES:

- THREADED BONNET
- INTEGRAL SEATS
- RISING STEM

| SIZE | L | d | W | H |
|--------|------|------|------|------|
| 1/2" | 2.56 | 0.59 | 2.76 | 3.74 |
| 3/4" | 3.15 | 0.71 | 2.76 | 3.74 |
| 1.00" | 3.54 | 0.94 | 3.15 | 3.74 |
| 1 1/4" | 4.13 | 1.18 | 3.54 | 4.33 |
| 1 1/2" | 4.72 | 1.45 | 3.54 | 4.53 |
| 2.00" | 5.51 | 1.81 | 3.94 | 5.19 |



| | |
|---|----------------------|
| TITLE: STAINLESS STEEL WOG GLOBE VALVE THREADED ENDS - CLASS 200 - API TRIM 10 | |
| MATERIAL: A351-CF8M | UNITS: Inch, mm |
| CLASS: 200 | DATE: 02/12/13 |
| SCALE: N.T.S. | FIG. No.: S202T6 316 |
| SIZE: 1/2" - 2" | DRAWN BY: F.J. |
| CHK'D & APR'D BY: R.P. | REV: 1 |
| DWG No.: 11GL120026 | |

| NO. | DATE | DESCRIPTION | PRP'D | REV'D | APP'D |
|-----|---------|-------------|-------|-------|-------|
| Δ | 2/12/13 | RELEASED | F.J. | R.P. | R.P. |

| | | | |
|----------------|------------|----------------------------|---------------------|
| MARKING SYSTEM | MSS-SP-25 | INSPECTION & TEST: API 598 | MATERIAL: A351-CF8M |
| THREADED ENDS | ANSI B 2.1 | SHELL HYDRO 300PSI | CLASS: 200 |
| | | SEAT AIR N/A | DATE: 02/12/13 |
| | | BACK SEAT HYDRO 220PSI | SCALE: N.T.S. |