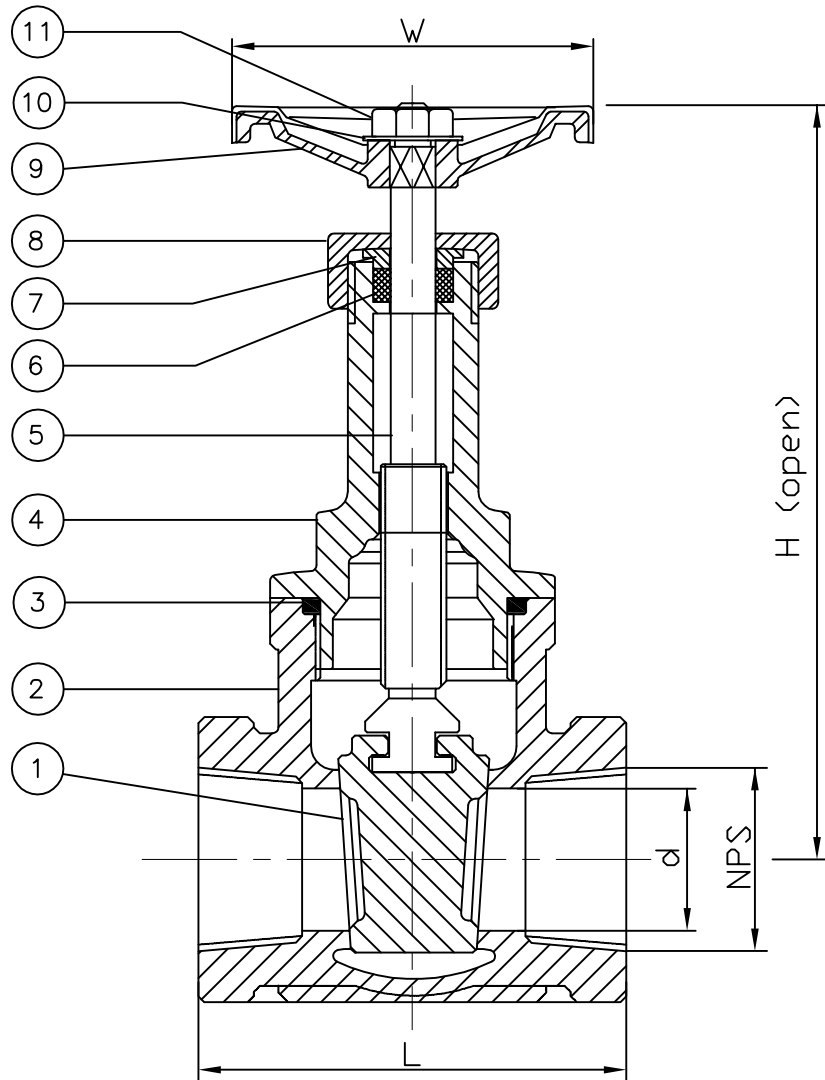


Wm. E. Williams No. S25T6 316 Class 200 WOG Gate Valve ASTM A351 CF8M (API TRIM 10)



BILL OF MATERIAL		
NO.	PART NAME	MATERIAL
1	WEDGE	A351-CF8M
2	BODY	A351-CF8M
3	GASKET	TEFLON PTFE
4	BONNET	A351-CF8M
5	STEM	A182 F316
6	PACKING	TEFLON PTFE
7	PACKING GLAND	A182 F316
8	PACKING NUT	A182 F316
9	HANDWHEEL	A126
10	I.D. TAG	ALUMINUM
11	HANDWHEEL HEXNUT	A276-304

FEATURES:

- THREADED BONNET
- INTEGRAL SEATS
- RISING STEM

SIZE	L	d	W	H
1/2"	2.01	0.59	2.64	5.05
3/4"	2.21	0.79	2.64	5.71
1.00"	2.50	0.98	2.95	6.61
1 1/4"	2.80	1.26	2.95	8.15
1 1/2"	3.02	1.57	3.39	9.29
2.00"	3.41	1.97	3.98	10.91



TITLE: STAINLESS STEEL WOG GATE VALVE
THREADED ENDS - CLASS 200 - API TRIM 10

						MATERIAL: A351-CF8M	UNITS: Inch, mm
						CLASS: 200	DATE: 02/12/13
						SIZE: 1/2" - 2"	SCALE: N.T.S.
						DRAWN BY: F.J.	FIG. No.: S25T6 316
						CHK'D & APR'D BY: R.P.	REV: 1
							DWG No.: 11GA120038

NO.	DATE	DESCRIPTION	PRP'D	REV'D	APP'D
Δ	2/12/13	RELEASED	F.J.	R.P.	R.P.

MARKING SYSTEM	MSS-SP-25	INSPECTION & TEST: API 598		
THREADED ENDS	ANSI B 2.1	SHELL	HYDRO	300PSI
		SEAT	AIR	N/A
		BACK SEAT	HYDRO	220PSI