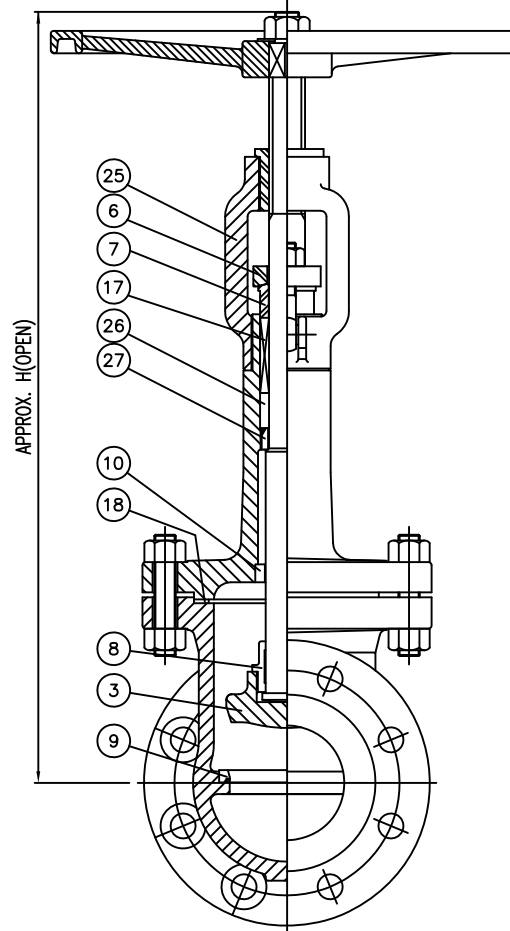
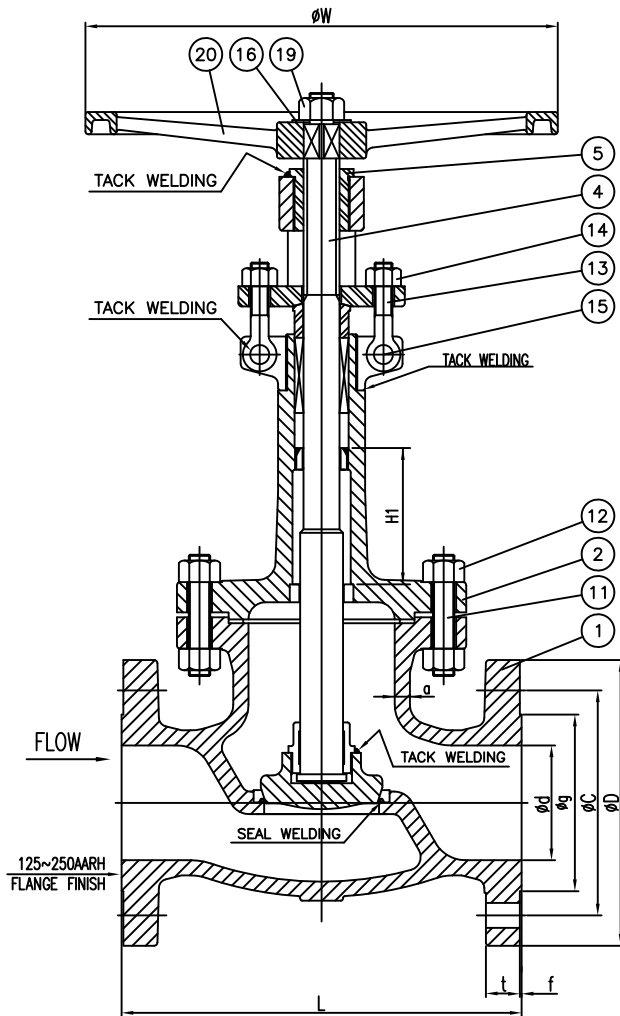


**Wm. E. Williams No. S302F6 316 EB** Class 300 RF OS&Y Globe Valve ASTM A351 CF8M (API TRIM 10)



BILL OF MATERIAL			
NO.	PART NAME	MATERIAL	Q'TY
1	BODY	A351-CF8M	1
2	BONNET	A351-CF8M	1
3	DISC	A351-CF8M	1
4	STEM	A479-316	1
5	YOKE BUSH	A439-D2C	1
6	GLAND FLANGE	A351-CF8	1
7	PACKING GLAND	A479-316	1
8	DISC NUT	A479-316	1
9	SEAT RING	A182-F316	1
10	GUIDE RING	A479-316	1
11	BONNET BOLT	A320-B8	1SET
12	NUT	A194-8	1SET
13	HINGED EYE BOLT	A193-B8	2
14	NUT	A194-8	2
15	HINGE PIN	A479-304	2
16	WASHER	A240-304	1
17	PACKING	SEE NOTE 1	1SET
18	GASKET	SEE NOTE 1	1SET
19	HANDWHEEL NUT	A194-8	1
20	HANDWHEEL	A536	1
25	YOKE	A351-CF8M	1
26	BACKUP RING	A479-316	1
27	BACKSEAT RING	A479-316	1

NOTE:

1. GRAPHITE OR PTFE: (SPECIFY WHEN ORDERED)

UNIT : mm

SIZE (Inch)	L	d	Min a	FLANGE						W	H (open)	H1
				D	C	g	t	f	n-h			
2"	266.7	50.8	9.7	165.1	127.0	91.9	22.4	1.6	8-19.1	200	606	250
3"	317.5	76.2	11.9	209.6	168.1	127.0	28.5	1.6	8-22.4	250	677	250
4"	355.6	101.6	12.7	254.0	200.2	157.2	31.7	1.6	8-22.4	315	827	350
8"	533	203.2	17.5	381.0	330.2	269.7	41.2	1.6	12-25.4	450	1115	500
10"	622.3	254.0	12.7	444.5	387.4	323.9	47.8	1.6	16-28.5	610	1176	500
12"	711.2	304.8	12.7	520.7	450.9	381.0	50.8	1.6	16-31.8	610	1240	500

Remark: Other sizes available.



TITLE: S.S. CRYOGENIC SERVICE GLOBE VALVE  
CLASS 300 - API TRIM 10 - RF - EXTENDED BONNET

MARKING SYSTEM		MSS-SP-25	INSPECTION & TEST: API 598			MATERIAL: A351-CF3M		UNITS: Inch, mm		
BUTTWELD ENDS		ANSI B16.25	SHELL	HYDRO	1100PSI	CLASS: 300	DATE: 07/24/15	SCALE: N.T.S.		
FACE TO FACE		ANSI B16.10	SEAT	AIR	N/A	SIZE: 2" - 12"	FIG. No.: S302F-6 316 EB			
			BACK SEAT	HYDRO	800PSI	DRAWN BY: F.J.				
NO.	DATE	DESCRIPTION	PRP'D	REV'D	APP'D	DESIGNED	BS 1873, ANSI B16.34	CHK'D & APR'D BY: R.P.	REV: 1	DWG No.: 11GL120135-66