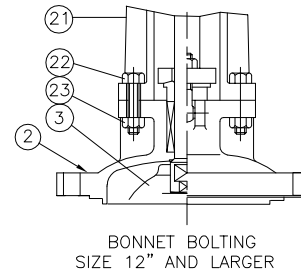
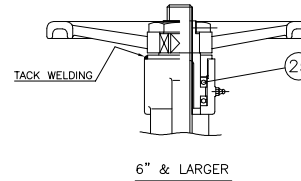
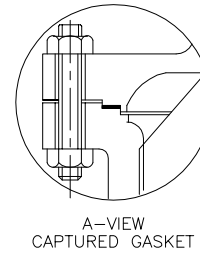
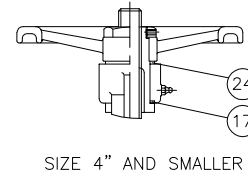
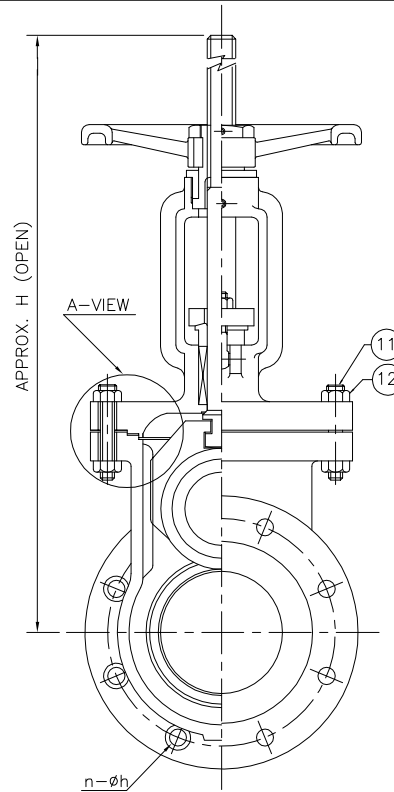
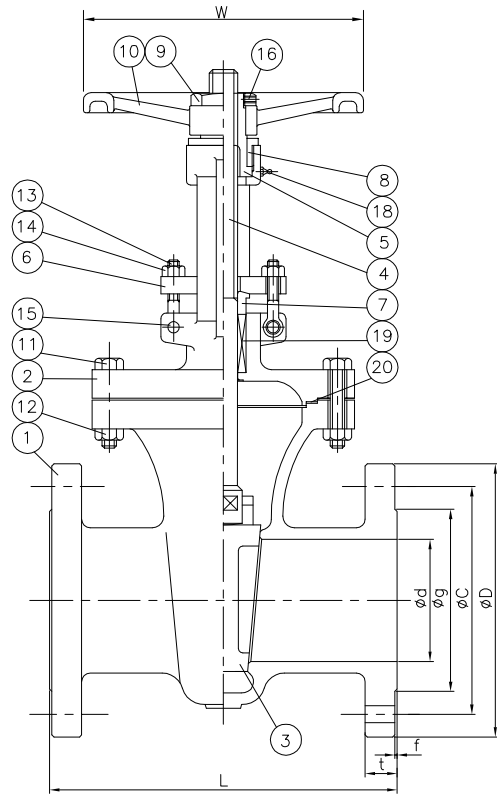


Wm. E. Williams No. S30F6-316 Class 300 R.F. Gate Valve ASTM A 351 CF8M (API TRIM 10)



BILL OF MATERIAL

NO.	PART NAME	MATERIAL	Q'TY
1	BODY	A351-CF8M	1
2	BONNET	A351-CF8M	1
3	WEDGE	A351-CF8M	1
4	STEM	A276-316	1
5	YOKE SLEEVE	A439-D2C	1
6	GLAND FLANGE	A351-CF8	1
7	PACKING GLAND	A276-316	1
8	YOKE CAP	A351-CF8	1
9	HANDWHEEL NUT	A276-304	1
10	HANDWHEEL	A536	1
11	BONNET BOLT	A193-B8	1SET
12	NUT	A194-8	1SET
13	HINGED EYE BOLT	A276-304	2
14	NUT	A194-8	2
15	HINGE PIN	A276-304	2
16	SET SCREW	A276-304	1
17	WASHER	A240-304	1
18	GREASE NIPPLE	STEEL	1
19	PACKING	SEE NOTE 1	1SET
20	GASKET	SEE NOTE 1	1
21	YOKE	A351-CF8M	1
22	BOLT /STUD	A193-B8	1 SET
23	NUT	A194-8	1 SET
24	THRUST WASHER	A240-304	1
25	THRUST BEARING	STEEL (12" OR ABOVE)	2

NOTE:

- GRAPHITE OR PTFE: (SPECIFY WHEN ORDERED)

SIZE	L	d	D	C	g	t	f	n-h	W	H
1/2	5.50	0.500	3.750	2.650	1.400	0.60	0.062	4-0.625	3.950	8.200
3/4	6.00	0.750	4.650	3.250	1.700	0.62	0.062	4-0.750	3.950	8.350
1	6.50	1.000	4.900	3.500	2.000	0.68	0.062	4-0.750	6.300	11.950
1-1/2	7.50	1.500	6.125	4.500	2.875	0.81	0.062	4-0.875	8.000	12.875
2	8.50	2.000	6.50	5.000	3.625	0.87	0.062	8-0.750	8.000	15.000
2-1/2	9.50	2.500	7.50	5.875	4.125	1.00	0.062	8-0.875	8.000	15.500
3	11.12	3.000	8.25	6.625	5.000	1.12	0.062	8-0.875	10.00	18.125
4	12.00	4.000	10.00	7.875	6.185	1.25	0.062	8-0.875	12.00	23.000
6	15.87	6.000	12.50	10.62	8.500	1.45	0.062	12-0.875	14.00	31.000
8	16.50	8.000	15.00	13.00	10.62	1.62	0.062	12-1.000	16.00	38.125
10	18.00	10.00	17.50	15.25	12.75	1.75	0.062	16-1.125	18.00	46.125
12	19.75	12.00	20.50	17.75	15.00	2.00	0.062	16-1.125	20.00	56.000
14	30.00	13.25	23.00	20.25	16.25	2.12	0.062	20-1.250	28.00	64.125
16	33.00	15.25	25.50	22.50	18.50	2.25	0.062	20-1.375	28.00	73.500
18	36.00	17.00	28.00	24.75	21.00	2.37	0.062	24-1.375	32.00	85.250
20	39.00	19.00	30.50	27.00	23.00	2.50	0.062	24-1.375	32.00	94.500
24	45.00	23.00	36.00	32.00	27.25	2.75	0.062	24-1.625	32.00	110.37

Remark: Larger sizes available upon request.

						MARKING SYSTEM	MSS-SP-25	INSPECTION & TEST: API 598	MATERIAL: A351-CF8M	UNITS: Inch, mm	
						DIM.OF FLANGE	ANSI B16.5	SHELL HYDRO 1100PSI	CLASS: 300	DATE: 01/01/12	SCALE: N.T.S.
						FACE TO FACE	ANSI B16.10	SEAT AIR 80PSI	SIZE: 1/2" - 24"		FIG. No.: S30F6-316
								BACK SEAT HYDRO 800PSI	DRAWN BY: F.J.		
NO.	DATE	DESCRIPTION	PRP'D	REV'D	APP'D	DESIGNED	API 603, ANSI B16.34		CHK'D & APR'D BY: R.P.	REV: 1	DWG No.: 11GA120003

WILLIAM E. WILLIAMS VALVE CORPORATION
 38-52 REVIEW AVENUE LONG ISLAND CITY, NY 11101
 TEL: 718-392-1660 FAX: 718-729-5105

TITLE: STAINLESS STEEL GATE VALVE CLASS 300 - API TRIM 10