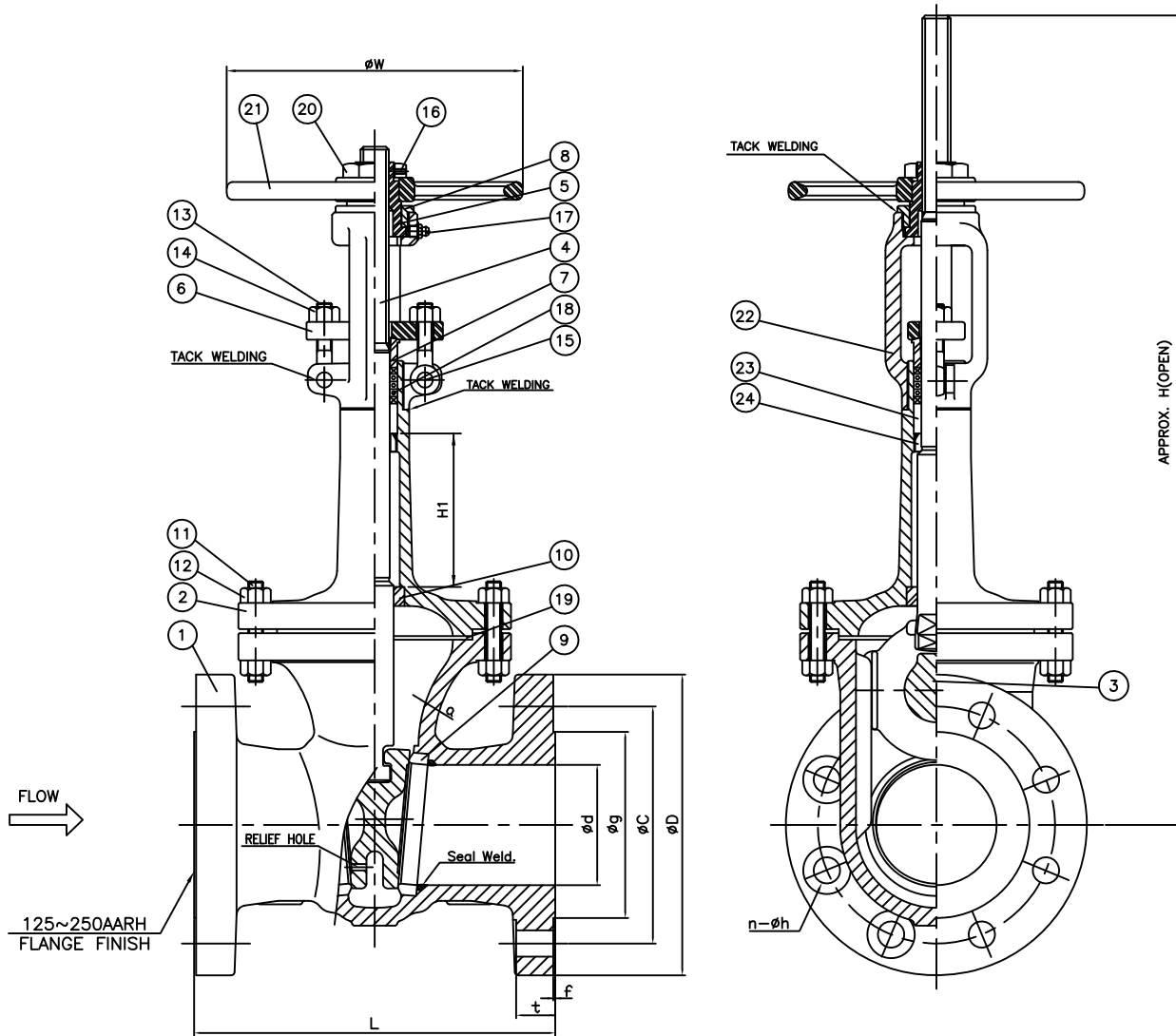


Wm. E. Williams No. S30F6 316 EB Class 300 RF Gate Valve ASTM A 351 CF8M (API TRIM 10)



BILL OF MATERIAL			
NO.	PART NAME	MATERIAL	Q'TY
1	BODY	A351-CF8M	1
2	BONNET	A351-CF8M	1
3	WEDGE	A351-CF8M	1
4	STEM	A479-316	1
5	YOKE SLEEVE	A439-D2C	1
6	GLAND FLANGE	A351-CF8	1
7	PACKING GLAND	A479-316	1
8	YOKE CAP	A351-CF8	1
9	SEAT RING	A182-F316	2
10	GUIDE RING	A479-316	1
11	BONNET BOLT	A320-B8	1SET
12	NUT	A194-8	1SET
13	EYE BOLT	A193-B8	2
14	NUT	A194-8	2
15	HINGE PIN	A479-304	2
16	SET SCREW	SS304	1
17	GREASE NIPPLE	SS304	1
18	PACKING	SEE NOTE 1	1SET
19	GASKET	SEE NOTE 1	1
20	HANDWHEEL NUT	A479-304	1
21	HANDWHEEL	A536	1
22	YOKE	A351-CF8M	1
23	BACKUP RING	A479-316	1
24	BACKSEAT RING	A479-316	1

NOTE:
1. GRAPHITE OR PTFE: (SPECIFY WHEN ORDERED)

SIZE	L	d	Min a	FLANGE						W	H1	H
				D	C	g	t	f	n-h			
2"	8.50	2.00	.381	6.50	5.00	3.62	0.87	0.06	8-.750	7.87	9.84	24.21
3"	11.12	3.00	.468	8.25	6.62	5.00	1.12	0.06	8-.875	9.84	9.84	28.15
4"	12.00	4.00	.500	10.00	7.88	6.18	1.25	0.06	8-.875	9.84	13.77	35.62
6"	15.87	8.00	.688	12.50	10.62	8.50	1.44	0.06	12-.875	14.00	13.77	49.72
8"	16.50	8.00	.688	15.00	13.00	10.62	1.62	0.06	12-1.00	15.75	19.68	57.28

Remark: Larger sizes available upon request.

MARKING SYSTEM	MSS-SP-25	INSPECTION & TEST:	API 598	MATERIAL:	A351-CF8M	UNITS:	Inch, mm					
DIM.OF FLANGE	ANSI B16.5	SHELL	HYDRO	1100PSI	CLASS:	300	DATE:	05/06/13	SCALE:	N.T.S.		
FACE TO FACE	ANSI B16.10	SEAT	AIR	80PSI	SIZE:	2" - 8"	FIG. No.:	S30F-6 316 EB				
		BACK SEAT	HYDRO	800PSI	DRAWN BY:	F.J.						
NO.	DATE	DESCRIPTION	PRP'D	REV'D	APP'D	DESIGNED	API 603, ANSI B16.34	CHK'D & APR'D BY:	R.P.	REV: 1	DWG No.:	11GA120032-11

WILLIAM E. WILLIAMS VALVE CORPORATION
 38-52 REVIEW AVENUE LONG ISLAND CITY, NY 11101
 TEL: 718-392-1660 FAX: 718-729-5106

TITLE: STAINLESS STEEL CRYOGENIC GATE VALVE CLASS 300 - API TRIM 10