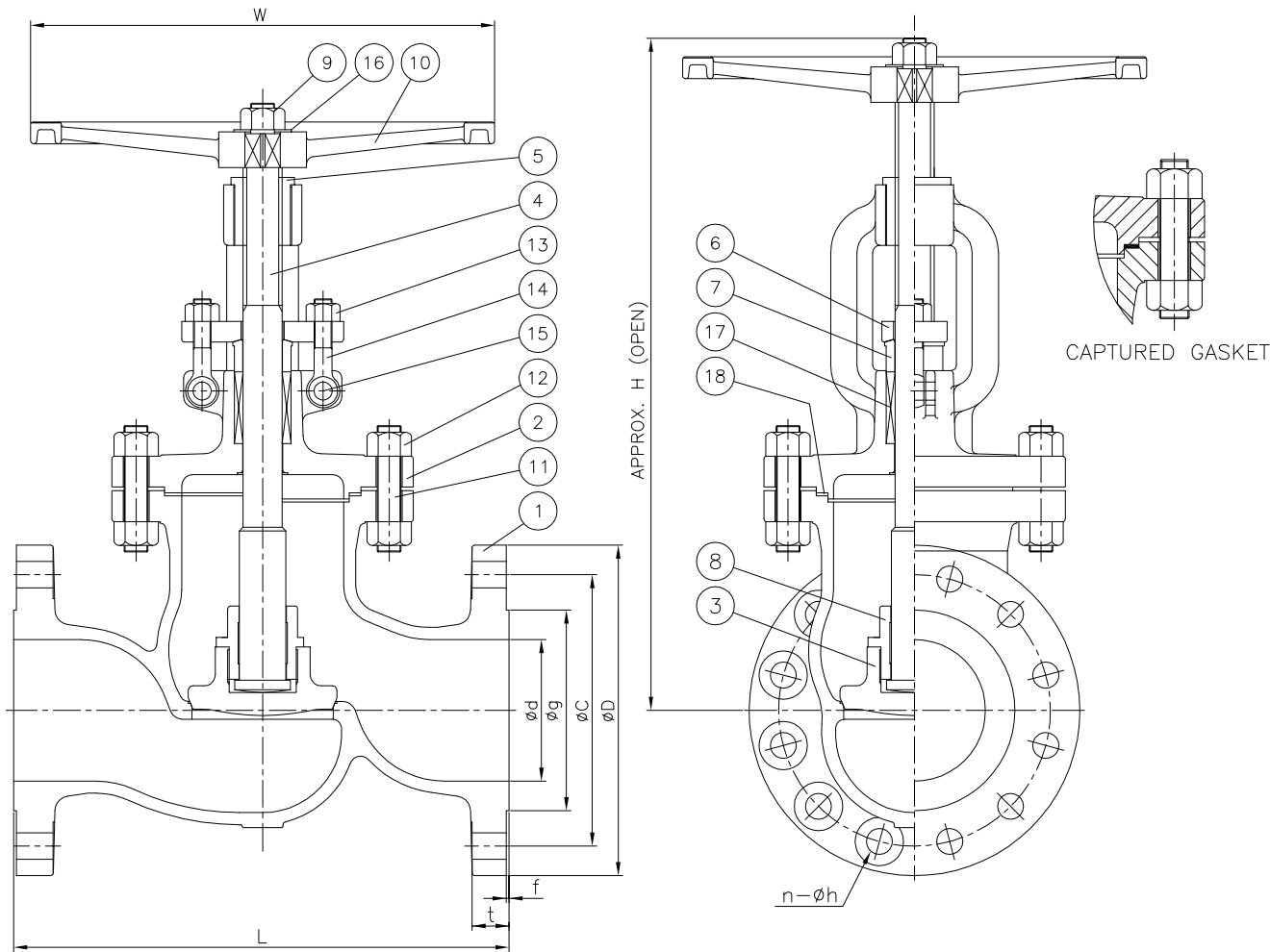


Wm. E. Williams No. S602F6-316 Class 600 RF OS&Y Globe Valve ASTM A351 CF8M (API TRIM 10)



BILL OF MATERIAL			
NO.	PART NAME	MATERIAL	Q'TY
1	BODY	A351-CF8M	1
2	BONNET	A351-CF8M	1
3	DISC	A351-CF8M	1
4	STEM	A276-316	1
5	YOKE BUSH	A439-D2C	1
6	GLAND FLANGE	A351-CF8	1
7	PACKING GLAND	A276-316	1
8	DISC NUT	A351-CF8M	1
9	HANDWHEEL NUT	A193-B8	1
10	HANDWHEEL	A536	1
11	BONNET BOLT/STUD	A193-B8	1SET
12	NUT	A194-8	1SET
13	HINGED EYE BOLT	A276-304	2
14	NUT	A194-8	2
15	HINGE PIN	A276-304	2
16	WASHER	A240-304	1
17	PACKING	SEE NOTE 1	1SET
18	GASKET	SEE NOTE 1	1

NOTE:

1. GRAPHITE OR PTFE: (SPECIFY WHEN ORDERED)

SIZE	L	d	D	C	g	t	f	n-h	W	H
2.00	11.5	2.00	6.50	5.000	3.625	1.000	0.25	8-0.750	8.50	15.50
2.50	13.0	2.50	7.50	5.885	4.125	1.125	0.25	8-0.875	8.50	17.75
3.00	14.0	3.00	8.25	6.625	5.000	1.250	0.25	8-0.875	10.37	20.50
4.00	17.0	4.00	10.75	8.500	6.125	1.500	0.25	8-1.000	11.50	24.00
6.00	22.0	6.00	14.00	11.50	8.500	1.875	0.25	12-1.12	13.00	29.50
8.00	26.0	8.00	16.50	13.75	10.62	2.185	0.25	12-1.25	14.87	32.00
10.00	31.0	10.00	20.00	17.00	12.75	2.500	0.25	16-1.37	16.37	49.00
12.00	33.0	12.00	22.00	19.25	15.00	2.625	0.25	20-1.37	18.87	58.00

Remark: Larger sizes available upon request.

						MARKING SYSTEM	MSS-SP-25	INSPECTION & TEST: API 598	MATERIAL: A351-CF8M	UNITS: Inch, mm	
						DIM.OF FLANGE	ANSI B16.5	SHELL HYDRO	2175PSI	CLASS: 600 DATE: 01/01/12	SCALE: N.T.S.
						FACE TO FACE	ANSI B16.10	SEAT AIR	80PSI	SIZE: 2" - 12"	FIG. No.: S602F6-316
								BACK SEAT HYDRO	1600PSI	DRAWN BY: F.J.	
NO.	DATE	DESCRIPTION	PRP'D	REV'D	APP'D	DESIGNED	BS 1873, ANSI B16.34			CHK'D & APR'D BY: R.P.	REV: 1 DWG No.: 11GL120010

WILLIAM E. VALVE CORPORATION
 38-52 REVIEW AVENUE LONG ISLAND CITY, NY 11101
 TEL: 718-392-1660 FAX: 718-729-5106

TITLE: STAINLESS STEEL GLOBE VALVE CLASS 600 - API TRIM 10 - R,F B,B OS&Y