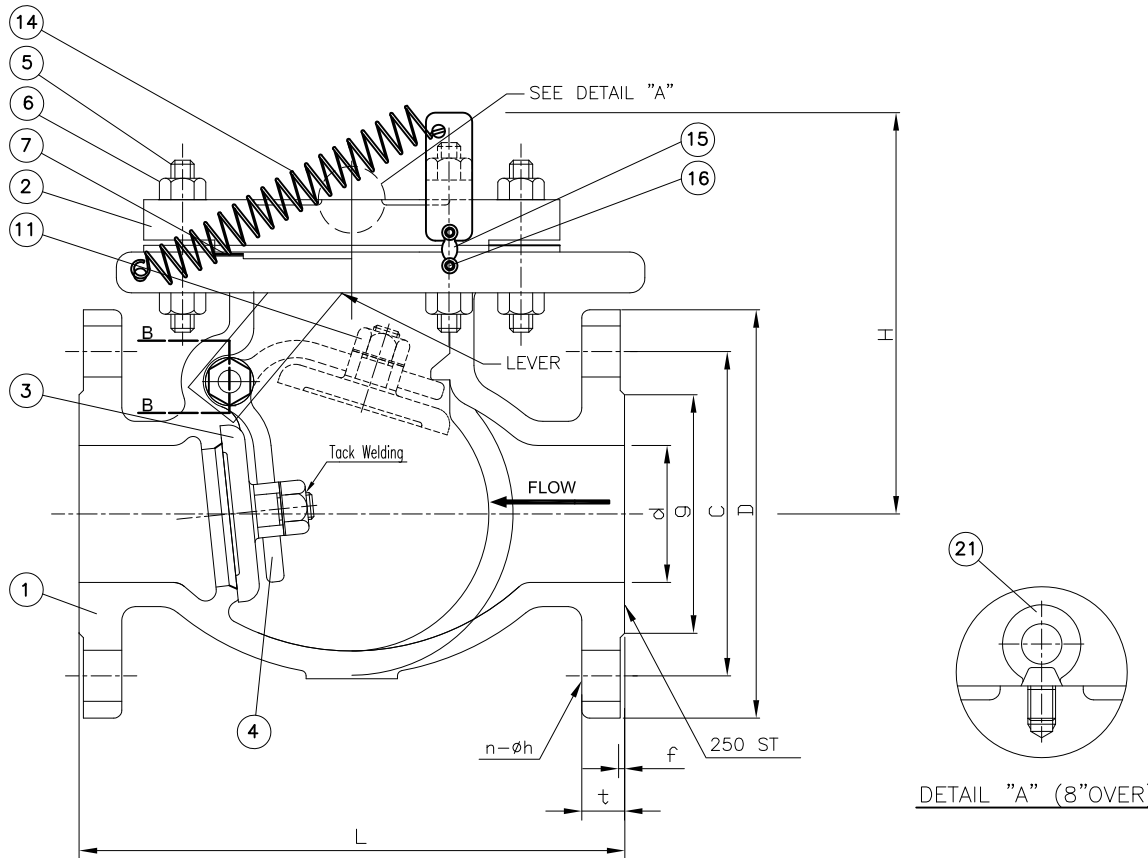


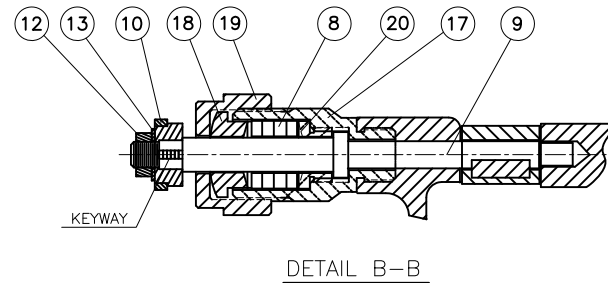
Wm. E. Williams No. SPSL-6 Class 150 Emergency Shut-Off Valve ASTM A351-CF8M (API Trim 10)



BILL OF MATERIALS			
NO.	PART NAME	MATERIAL	Q'TY
1	BODY	A351-CF8M	1
2	COVER	A351-CF8M	1
3	DISC	A351-CF8M	1
4	ARM	A351-CF8M	1
5	COVER BOLT	A193Gr B8	1SET
6	COVER NUT	A194Gr 8	1SET
7	GASKET	GRAPHITE	1
8	PACKING	GRAPHITE	1
9	HINGE PIN	A276-316	1
10	LEVER	A276-304	1
11	DISC NUT	A194Gr 8	1
12	LEVER NUT	A194Gr 8	1
13	WASHER	A240-316	1
14	SPRING	MUSIC WIRE	1
15	FUSIBLE LINK		2
16	PIN	SS 18-8	2
17	PACKER BOX	S.S.	1
18	PACKING GLAND	A276-316	1
19	PACKING NUT	A276-316	1
20	RETAINER	A276-316	1
21	EYE BOLT	A193Gr B8	1

SIZE	d	L	D	C	g	t	f	n-h	H
2.00	2.00	8.00	6.00	4.75	3.625	0.63	0.060	4-0.75	6.00
2.50	2.50	8.50	7.00	5.50	4.125	0.69	0.060	4-0.75	6.00
3.00	3.00	9.50	7.50	6.00	5.000	0.75	0.060	4-0.75	6.25
4.00	4.00	11.50	9.00	7.50	6.187	0.94	0.060	8-0.75	7.62
5.00	5.00	13.00	10.00	8.50	7.320	0.94	0.060	8-0.87	7.62
6.00	6.00	14.00	11.00	9.50	8.500	1.00	0.060	8-0.87	9.50
8.00	8.00	19.50	13.50	11.75	10.62	1.13	0.060	8-0.87	11.50
10.00	10.00	24.50	16.00	14.25	12.75	1.19	0.060	12-1.00	13.50
12.00	12.00	27.50	19.00	17.00	15.00	1.25	0.060	12-1.00	15.00
14.00	13.25	31.00	21.00	18.75	16.25	1.38	0.060	12-1.12	15.75
16.00	15.25	34.00	23.50	21.25	18.50	1.44	0.060	16-1.12	17.25

Remark: Larger sizes available upon request.



					MARKING SYSTEM	MSS-SP-25	INSPECTION & TEST: API 598	MATERIAL: A351-CF8M	UNITS: Inch, mm	
					DIM.OF FLANGE	ANSI B16.5	SHELL HYDRO 425PSI	CLASS: 150	DATE: 01/01/12	SCALE: N.T.S.
					FACE TO FACE	ANSI B16.10	SEAT AIR 80PSI	SIZE: 2" - 16"	FIG. No.: SPSL-6	
					WALL THICKNESS	ANSI B16.34	BACK SEAT HYDRO 325PSI	DRAWN BY: F.J.		
					DESIGNED	BS1868, ANSI B16.34	CHK'D & APR'D BY: R.P.	REV: 1	DWG No.: 11ESOV120012	
Δ	1/1/12	RELEASED	F.J.	R.P.	R.P.					

WILLIAM E. WILLIAMS VALVE CORPORATION
 38-52 REVIEW AVENUE LONG ISLAND CITY, NY 11101
 TEL: 718-392-1650 FAX: 718-729-5106
 WWW.WILLIAMSVALVE.COM

TITLE: STAINLESS STEEL EMERGENCY SHUT-OFF VALVE WITH SPRING - CLASS 150 - API TRIM 10