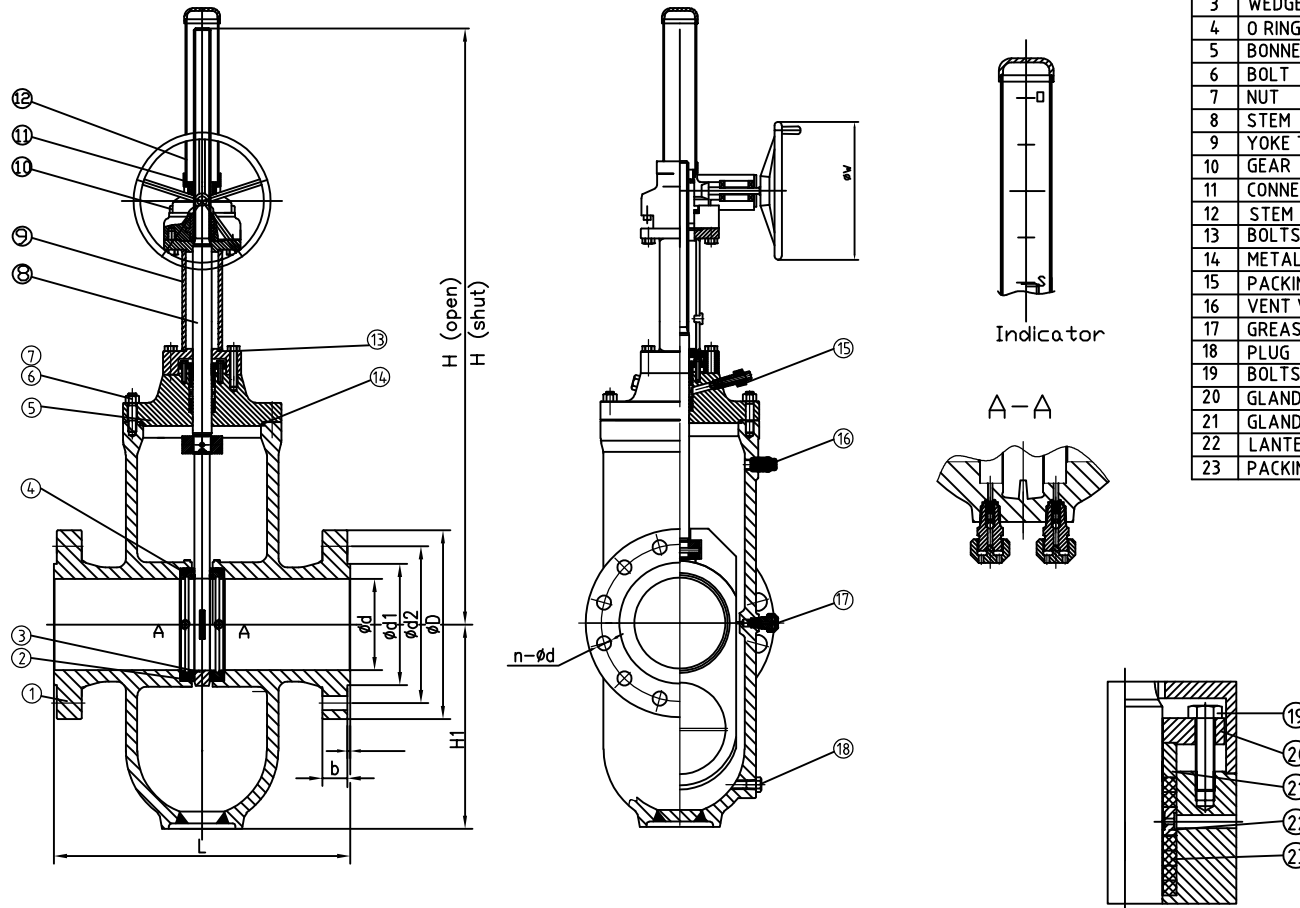


Wm. E. Williams No. 158F61DGO Class 1500 RF Slab Gate Valve ASTM A216 WCC NACE



ITEM	PART	MATERIAL	NOTE
1	VALVE BODY	A216-WCC	NACE
2	SEAT	A105+ENP+DEVLON	
3	WEDGE DISC	A515 GR.70+ENP	
4	O RING	VITON	
5	BONNET	A105	
6	BOLT	A193-B7M	
7	NUT	A194-2HM	
8	STEM	A182-F316	
9	YOKE TUBE ASSLY	A1020	
10	GEAR		
11	CONNECTING NUT	A1020	
12	STEM PROTECT & INDICATION	Plastic	
13	BOLTS	A193-B7M	
14	METAL GASKET	SS304	
15	PACKING FITTING	SS304	
16	VENT VALVE	SS304	
17	GREASE FITTING	SS304	
18	PLUG	SS304	
19	BOLTS	A193-B7M	
20	GLAND FLANGE	ASTM A105N	
21	GLAND FOLLOWER	SS316	
22	LANTERN RING	SS316	
23	PACKING RING	BRAIDED GRAPHITE	

UNIT	SIZE	φd	φd1	φd2	φD	b	n-φd	L	H (shut)	H (open)	H1	φW
mm	4"	100	157.2	241.3	311	54	8-φ35	54.6	674	799	260	310
Inch	4"	3.9	6.2	9.5	12.2	2.13	8-φ1.38	21.5	26.6	31.5	10.2	12.2
mm	6"	144	215.9	317.5	394	82.6	12-φ38	70.5	1030	1263	416	310
Inch	6"	5.7	8.5	12.5	15.5	3.3	12-φ1.50	27.8	40.6	49.7	16.4	12.2

WILLIAM E. WILLIAMS VALVE CORPORATION
 38-52 REVIEW AVENUE
 LONG ISLAND CITY, NY 11101
 TEL: 718-392-1660
 FAX: 718-729-5106

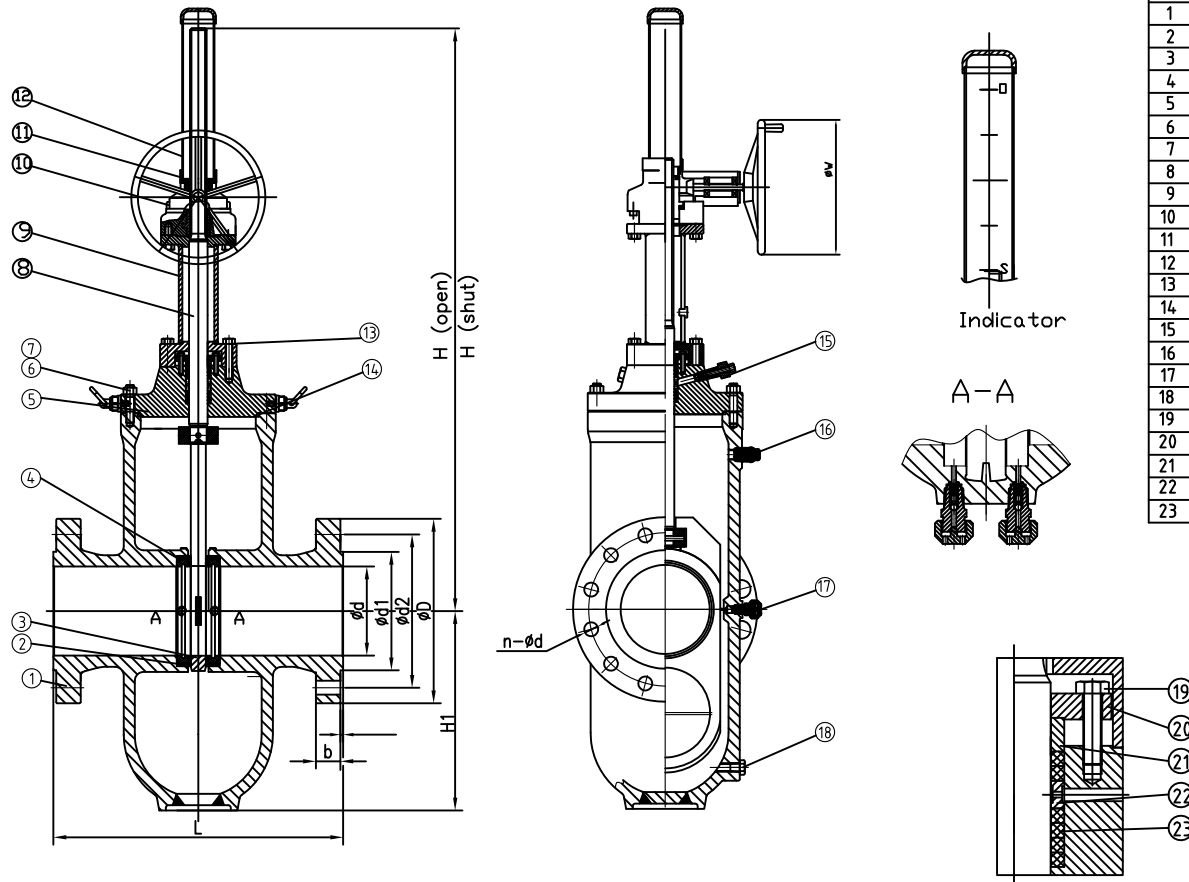
TITLE: CAST STEEL API-6D THRU CONDUIT SLAB GATE VALVE
 CLASS 1500 - ENP TRIM WITH DEVLON SEATS - GEAR OPERATED

MATERIAL: ASTM A216 GR.WCC	UNITS: Inch, mm
CLASS: 1500	DATE: 06/17/13
SCALE: N.T.S.	FIG. No.: 158F61DGO
SIZE: 4" - 6"	DRAWN BY: F.J.
DESIGNED: API 6D	BACK SEAT HYDRO 4100PSI
MARKING SYSTEM: MSS-SP-25	INSPECTION & TEST: API 6D
FACE TO FACE: API 6D	SEAT AIR 80PSI
NO. DATE DESCRIPTION	PRP'D REV'D APP'D
NO. DATE DESCRIPTION	PRP'D REV'D APP'D
NO. DATE DESCRIPTION	PRP'D REV'D APP'D

CHK'D & APR'D BY: R.P. REV: 3 DWG No.: 60SG120209-46-28

NO.	DATE	DESCRIPTION	PRP'D	REV'D	APP'D	MARKING SYSTEM	MSS-SP-25	INSPECTION & TEST: API 6D	MATERIAL: ASTM A216 GR.WCC	UNITS: Inch, mm
Δ	6/30/17	RELEASED	A.L.	R.P.	R.P.	FACE TO FACE	API 6D	SEAT AIR 80PSI	CLASS: 1500	DATE: 06/17/13
Δ	7/18/16	RELEASED	F.J.	R.P.	R.P.	DESIGNED	API 6D	BACK SEAT HYDRO 4100PSI	SCALE: N.T.S.	FIG. No.: 158F61DGO
Δ	6/17/13	RELEASED	F.J.	R.P.	R.P.					

Wm. E. Williams No. 158F61DGO Class 1500 RF Slab Gate Valve ASTM A216 WCC NACE



ITEM	PART	MATERIAL	NACE
1	VALVE BODY	A216-WCC	NACE
2	SEAT	A105+ENP+DEVLON	
3	WEDGE DISC	A515 GR.70+ENP	
4	O RING	VITON	
5	BONNET	A105	
6	BOLT	A193-B7M	
7	NUT	A194-2HM	
8	STEM	A182-F316	
9	YOKE TUBE ASSLY	A1020	
10	GEAR		
11	CONNECTING NUT	A1020	
12	STEM PROTECT & INDICATION	Plastic	
13	BOLTS	A193-B7M	
14	METAL GASKET	SS304	
15	PACKING FITTING	SS304	
16	VENT VALVE	SS304	
17	GREASE FITTING	SS304	
18	PLUG	SS304	
19	BOLTS	A193-B7M	
20	GLAND FLANGE	ASTM A105N	
21	GLAND FOLLOWER	SS316	
22	LANTERN RING	SS316	
23	PACKING RING	BRAIDED GRAPHITE	

UNIT	SIZE	φd	φd1	φd2	φD	b	n-φd	L	H (shut)	H (open)	H1	φW
mm	8"	192	269.9	393.7	483	92.1	12-φ4.4	832	1088	1326	455	4.60
Inch	8"	7.6	10.6	15.5	19.0	3.63	12-φ1.73	32.8	42.8	52.2	17.9	18.1
mm	10"	239	323.8	482.6	584	108	12-φ5.1	991	1152	1473	520	610
Inch	10"	9.4	12.8	19.0	23.0	4.3	12-φ2.0	39.0	45.4	60.0	20.5	24.0
mm	12"	287	381	571.5	673	123.9	16-φ5.4	1130	1325	1767	600	610
Inch	12"	11.3	15.0	22.5	26.5	4.88	16-φ2.13	44.5	52.9	69.6	23.6	24.0

WILLIAM E. WILLIAMS VALVE CORPORATION
 38-52 REVIEW AVENUE LONG ISLAND CITY, NY 11101
 TEL: 718-392-1660 FAX: 718-729-5106

TITLE: CAST STEEL API-6D THRU CONDUIT SLAB GATE VALVE
 CLASS 1500 - ENP TRIM WITH DEVLON SEATS - GEAR OPERATED

NO.	DATE	DESCRIPTION	PRP'D	REV'D	APP'D	MARKING SYSTEM	MSS-SP-25	INSPECTION & TEST: API 6D	MATERIAL: ASTM A216 GR.WCC	UNITS: Inch, mm	
△	6/30/17	RELEASED	AL	R.P.	R.P.	DIM.OF FLANGE	ANSI B16.5	SHELL HYDRO 5500PSI	CLASS: 1500	DATE: 06/17/13	SCALE: N.T.S.
△	7/18/16	RELEASED	F.J.	R.P.	R.P.	FACE TO FACE	API 6D	SEAT AIR 80PSI	SIZE: 8" - 12"		FIG. No.: 158F61DGO
△	6/17/13	RELEASED	F.J.	R.P.	R.P.	DESIGNED	API 6D	BACK SEAT HYDRO 4100PSI	DRAWN BY: F.J.		
								NACE MR 0175	CHK'D & APR'D BY: R.P.	REV: 3	DWG No.: 60SG120209-812-28