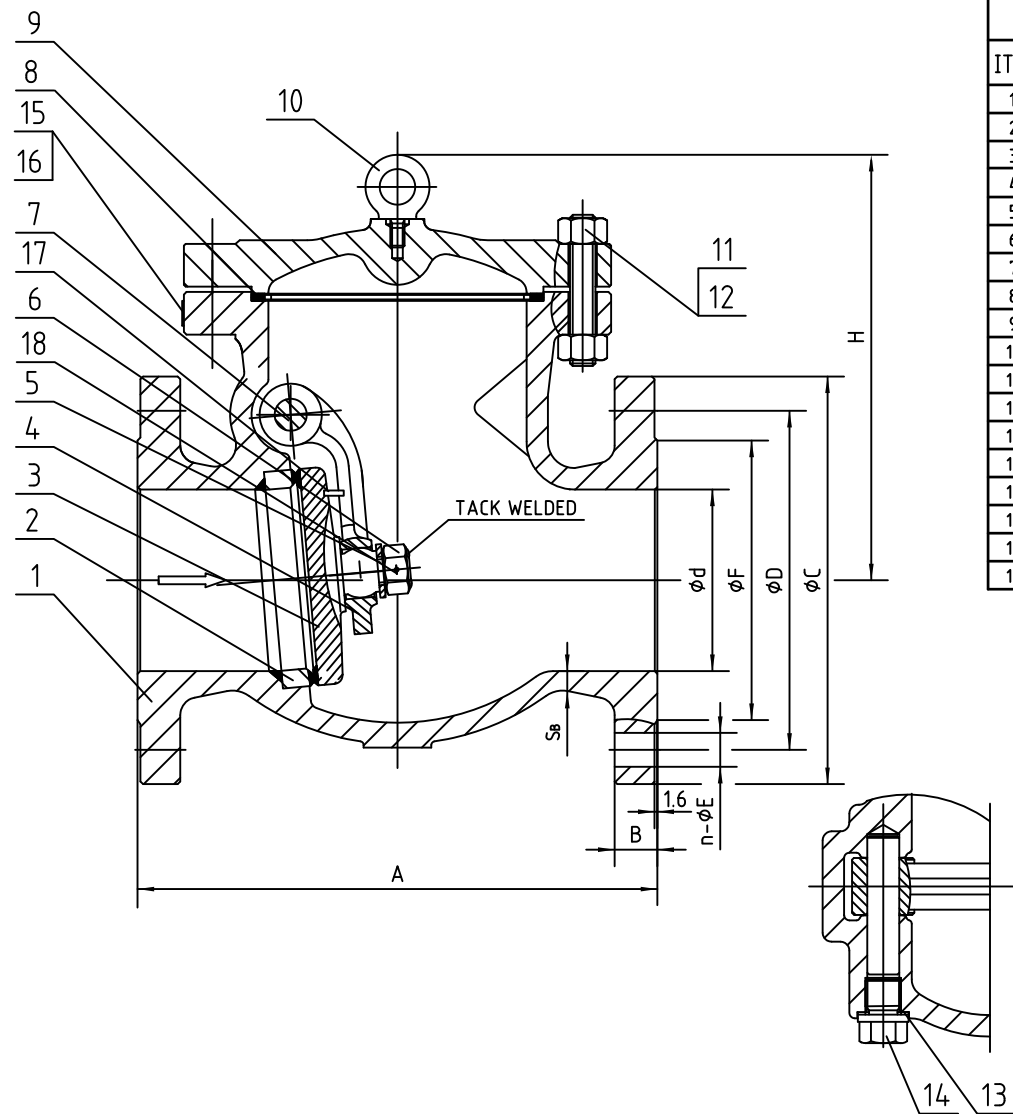


# Wm. E. Williams No. 301F62N Class 300 RF Swing Check Valve A216 WCB (API Trim 12) NACE



## BILL OF MATERIALS

ITEM	NAME	MATERIAL	SPECIFICATION	NOTE
1	BODY	CAST STEEL	ASTM A216-WCB	NACE
2	BODY RING	CARBON STEEL	ASTM A105+HF	
3	DISC	CARBON STEEL	ASTM A105+316	
4	HINGE	CAST STEEL	ASTM A216-WCB	
5	GASKET	STAINLESS STEEL	ASTM A276-316	
6	NUT	STAINLESS STEEL	ASTM A276-316	
7	PIN	STAINLESS STEEL	ASTM A276-316	
8	GASKET	SS316+GRAPHITE		
9	BONNET	CAST STEEL	ASTM A216-WCB	
10	EYEBOLT	CARBON STEEL	ASTM A29-1035	
11	NUT	STEEL	ASTM A194-2HM	
12	BOLT	STEEL	ASTM A193-B7M	
13	GASKET	STAINLESS STEEL	ASTM A276-304	
14	PLUG	STAINLESS STEEL	ASTM A276-410	
15	NAMEPLATE	STAINLESS STEEL	304SS	
16	RIVET	STAINLESS STEEL	304SS	
17	PIN	CARBON STEEL	ASTM A29-1020	
18	PIN	STAINLESS STEEL	316SS	

SIZE	d	A	B	C	D	n	E	F	H	S <sub>B</sub>
2"	51	267	23	165	127	8	19	92	149	10
2-1/2"	64	292	26	190	149	8	22	105	162	11.5
3"	76	318	29	210	168.5	8	22	127	176	11.9
4"	102	356	32	254	200	8	22	157	256	12.7
5"	127	400	35	279	235	8	22	186	282	14.5
6"	152	444	37	318	270	12	22	216	306	15.8
8"	203	533	42	381	330	12	25	270	362	18.5
10"	254	622	48	445	387.5	16	29	324	454	19
12"	305	711	51	521	451	16	32	381	499	20.6
14"	337	838	54	584	514.5	20	32	413	562	22.2
16"	387	864	58	648	571.5	20	35	470	610	23.8
18"	432	978	61	711	628.5	24	35	533	679	25.4
20"	483	1016	64	775	686	24	35	584	722	27
24"	584	1346	70	914	813	24	41	692	782	30.1

WILLIAM E. WILLIAMS VALVE CORPORATION

38-52 REVIEW AVENUE  
LONG ISLAND CITY, NY 11101

TEL: 718-392-1660  
FAX: 718-729-5106

WWW.WILLIAMSVALVE.COM

TITLE: CAST STEEL SWING CHECK VALVE  
CLASS 300 - API TRIM 12 - BC. RF

NO.	DATE	DESCRIPTION	PRP'D	REV'D	APP'D	DESIGNED	MARKING SYSTEM	MSS-SP-25	INSPECTION & TEST: API 598	MATERIAL: ASTM A216 GR.WCB	UNITS: Inch, mm
							DIM.OF FLANGE	ANSI B16.5	SHELL	HYDRO	1125PSI
							FACE TO FACE	ANSI B16.10	SEAT	AIR	N/A
							WALL THICKNESS	ANSI B16.34	HPC SEAT	HYDRO	815PSI
								API 594, ANSI B16.34	NACE MR0175	CHK'D & APR'D BY: R.P.	SCALE: N.T.S.
										DATE: 02/13/15	FIG. No.: 301F-62N
										DRAWN BY: F.J.	DWG No.: 60SC120204-28
										REV: 1	

NO.	DATE	DESCRIPTION	PRP'D	REV'D	APP'D
Δ	2/13/15	RELEASED	F.J.	R.P.	R.P.