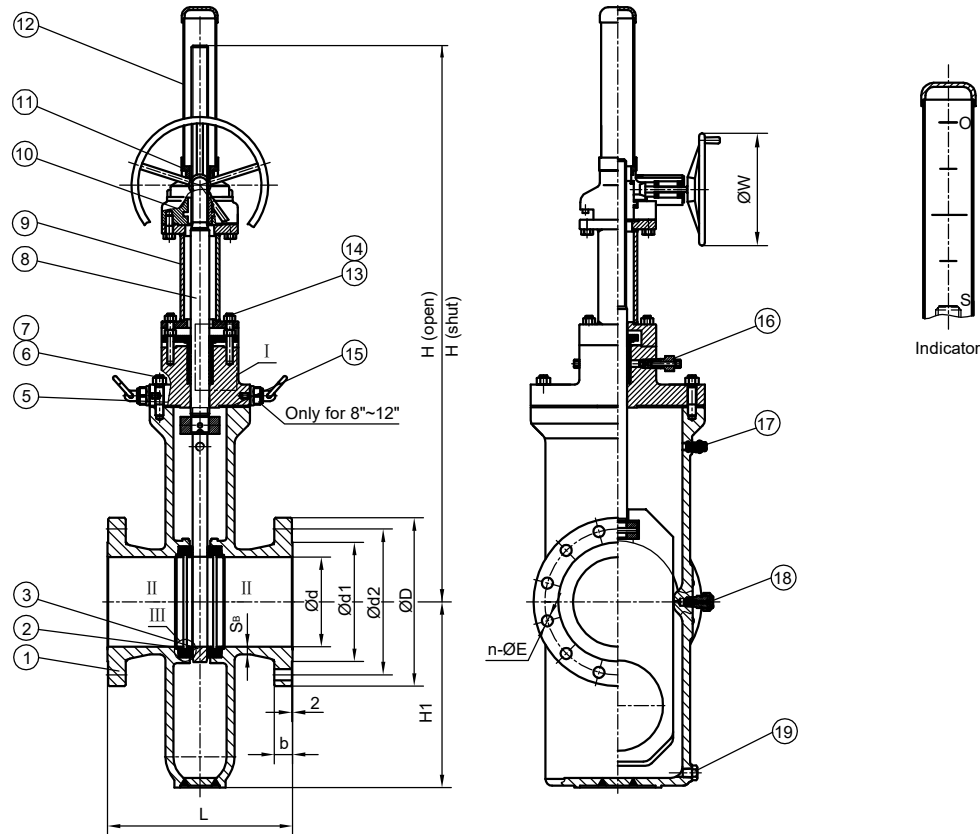
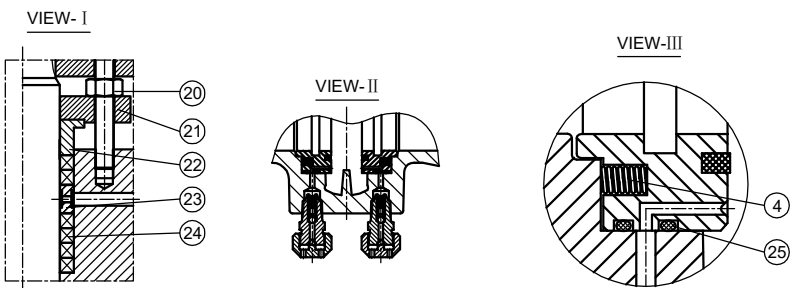


# Wm. E. Williams No. 38F61DWCCGO Class 300 RF API 6D Slab Gate Valve ASTM A216 WCC NACE



ITEM	NAME	SPECIFICATION	NOTE
1	BODY	ASTM A216-WCC	NACE
2	SEAT	ASTM A105N+ENP+DEVLON	
3	SLAB GATE	A515 GR.70 +ENP	
4	SPRING	INCONEL X750	
5	BONNET	ASTM A105N	
6	BOLT	ASTM A193-B7M	
7	NUT	ASTM A194-2HM	
8	STEM	ASTM A182-F316	
9	YOKE TUBE ASSLY	AISI 1020	
10	GEAR	ASTM A216-WCB	
11	CONNECTING NUT	AISI 1020	
12	STEM PROTECT & INDICATION	PLASTIC	
13	BOLT	ASTM A193-B7M	
14	NUT	ASTM A194-2HM	
15	GASKET	316+GRAPHITE	
16	PACKING FITTING	ASTM A276-316	
17	VENT VALVE	ASTM A276-316	
18	INJECTION FITTING	ASTM A276-316	
19	PLUG	ASTM A276-316	
20	NUT	ASTM A194-2HM	
21	GLAND FLANGE	ASTM A216-WCC	
22	GLAND FOLLOWER	ASTM A276-316	
23	LANTERN RING	ASTM A276-316	
24	PACKING	INCONEL600+GRAPHITE	
25	O RING	VITON A	



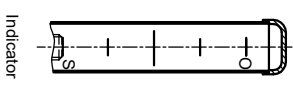
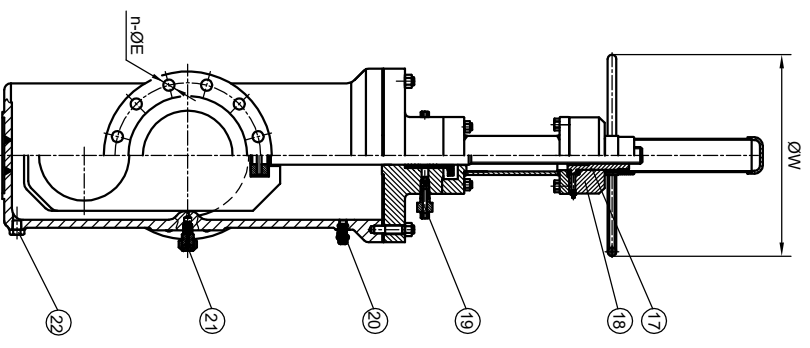
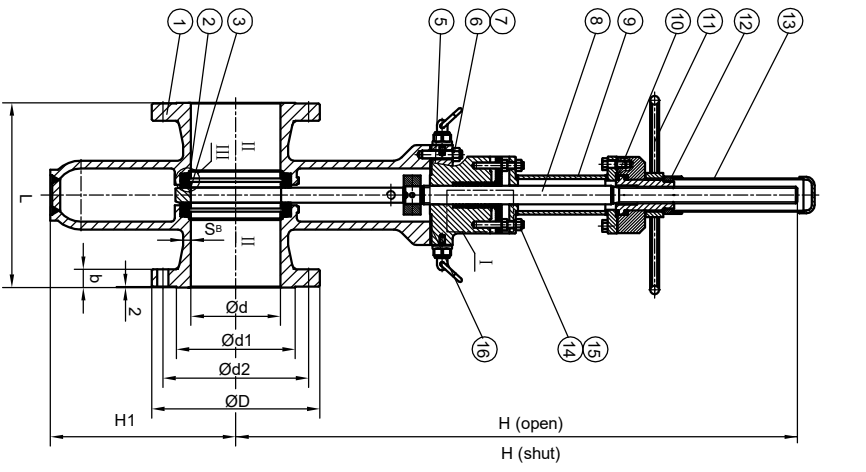
ITEM	FIG NO	SIZE	UNIT	Ød	Ød1	Ød2	ØD	b	n-ØE	L	H (shut)	H (open)	H1	ØW	Ss	Weight(lbs/kgs)
01	38F61DWCCGO	10"	mm	252	323.8	387.4	445	48.1	16-Ø29	457	1146	1425	504.5	310	19.1	981/445
		10"	Inch	9.94	12.8	15.25	17.5	1.89	16-Ø1-1/8	18.0	45.11	56.1	19.9	12.2	0.75	
02	38F61DWCCGO	12"	mm	303	381	450.8	520	51.3	16-Ø32	502	1308	1644	581.5	460	20.6	1378/625
		12"	Inch	11.94	15.0	17.75	20.5	2.02	16-Ø1-1/4	19.75	51.5	64.72	22.9	18.1	0.81	

**WILLIAM E. WILLIAMS VALVE CORPORATION**  
 38-52 REVIEW AVENUE LONG ISLAND CITY, NY 11101  
 TEL: 718-392-1660 FAX: 718-729-5106  
 WWW.WILLIAMSVALVE.COM

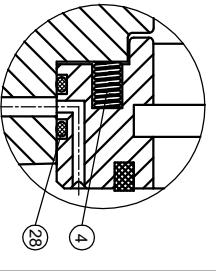
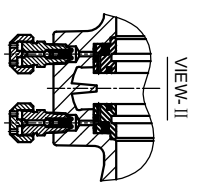
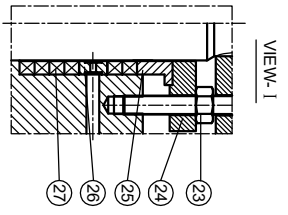
TITLE: CAST STEEL API 6D GATE VALVE  
 CLASS 300 - API 6D- GEAR OPERATED

MARKING SYSTEM	MSS-SP-25	INSPECTION & TEST: API 6D	MATERIAL: ASTM A216 WCC	UNITS: Inch, mm
DIM.OF FLANGE	ANSI B16.5	SHELL HYDRO 1125PSI	CLASS: 300	DATE: 04/25/19
FACE TO FACE	API 6D	SEAT AIR 80PSI	SIZE: 10"-12"	SCALE: N.T.S.
WALL THICKNESS	API 600	BACK SEAT HYDRO 825PSI	DRAWN BY: F.J.	FIG. No.: 38F61DWCCGO
NO. DATE	04/25/19	RELEASED	F.J. E.C. E.C.	CHK'D & APR'D BY: E.C. REV: 1
DESCRIPTION		PRP'D	REV'D	APP'D
DESIGNED	API 6D, ANSI B16.34	NACE MR 0175		DWG No.:

NO.	DATE	DESCRIPTION	PRP'D	REV'D	APP'D



ITEM	NAME	SPECIFICATION	NOTE
1	BODY	ASTM A216-WCC	
2	SEAT	ASTM A105N+ENP+DEVLO	
3	SLAB GATE	A515 GR.70+ENP	
4	SPRING	INCONEL X750	
5	BONNET	ASTM A105N	
6	BOLT	ASTM A193-B7M	
7	NUT	ASTM A194-2HM	
8	STEM	ASTM A182-F316	
9	YOKE TUBE ASS'LY	ASTM 1020	
10	NEEDLE BEARING	ASTM 52100	
11	HANDWHEEL	ASTM A536 60-40-18	
12	CONNECTING NUT	ASTM 1020	
13	STEM PROTECT & INDICATION PLASTIC		NACE
14	BOLT	ASTM A193-B7M	
15	NUT	ASTM A194-2HM	
16	GASKET	316+GRAPHITE	
17	STEM NUT	ZQUAL-9	
18	BEARING BOX	ASTM 1020	
19	PACKING FITTING	ASTM A276-316	
20	VENT VALVE	ASTM A276-316	
21	INJECTION FITTING	ASTM A276-316	
22	PLUG	ASTM A194-2HM	
23	NUT	ASTM A194-2HM	
24	GLAND FLANGE	ASTM A216-WCC	
25	GLAND FOLLOWER	ASTM A276-316	
26	LANTERN RING	ASTM A276-316	
27	PACKING	INCONEL 600+GRAPHITE	
28	O RING	VITON A	



ITEM	FIG NO	SIZE	UNIT	ØD	Ød1	Ød2	ØD	b	n-ØE	L	H (shut)	H (open)	H1	ØW	Sa	Weight(lbs/kg)
01	38F61DWCC	10"	mm	252	323.8	387.4	445	48.1	16-Ø29	457	1126	1405	504.5	500	19.1	926/420
		10"	Inch	9.94	12.8	15.3	17.5	1.89	16-Ø1-1/8	18.0	44.33	55.3	19.9	19.7	0.75	
02	38F61DWCC	12"	mm	303	381	450.8	520	51.3	16-Ø32	502	1293	1627	581.5	500	20.6	1318/598
		12"	Inch	11.94	15.0	17.8	20.5	2.02	16-Ø1-1/4	19.75	50.9	64.1	22.9	19.7	0.81	

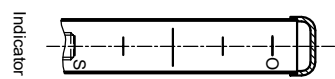
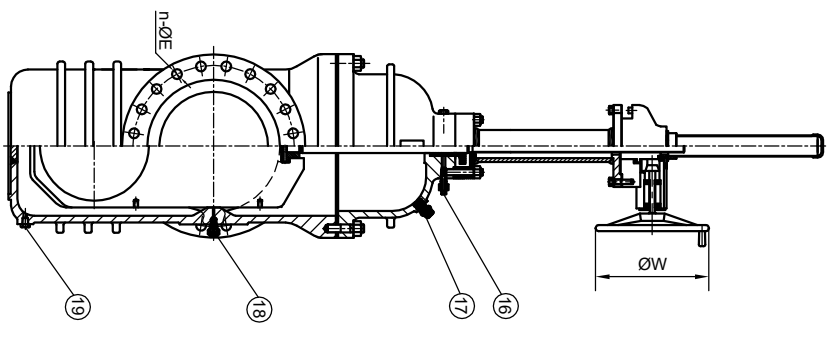
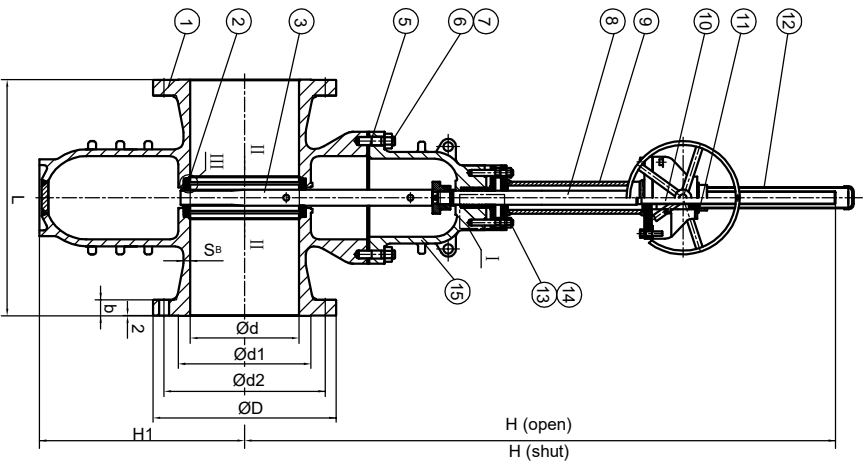
NO.	DATE	DESCRIPTION	PREP'D	REV'D	APP'D	DESIGNED	API 6D ANSI B16.34	NACE MR 0175	CHK'D & APP'D BY:	REV.	DWG No.:
Δ	04/25/19	RELEASED	F.J.	E.C.	E.C.	DESIGNED	API 6D	HYDRO	DRAWN BY: F.J.	REV. 1	38F61DWCC

**WILLIAM E. WILLIAMS**  
 VALVE CORPORATION  
 38-59 REVIEW AVENUE  
 LONG ISLAND CITY, NY 11101  
 TEL: 718-992-1660  
 FAX: 718-728-5106

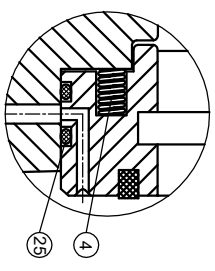
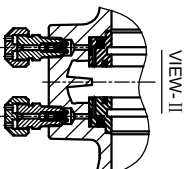
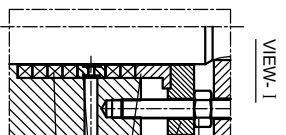
TITLE: CAST STEEL API 6D GATE VALVE  
 CLASS 300 - API 6D HANDWHEEL OPERATED

MATERIAL: ASTM A216 WCC  
 CLASS: 300  
 DATE: 04/25/19  
 UNITS: Inch, mm  
 SCALE: N.T.S.  
 FIG. No.: 38F61DWCC

# Wm. E. Williams No. 38F61DWCCGO Class 300 RF API6D Slab Gate Valve ASTM A216 WCC NACE



ITEM	NAME	SPECIFICATION	NOTE
1	BODY	ASTM A216-WCC	
2	SEAT	ASTM A105+ENP+DEV/ON	
3	SLAB GATE	A515 GR.70 +ENP	
4	SPRING	INCONEL X750	
5	GASKET	316+GRAPHITE	
6	BOLT	ASTM A193-B7M	
7	NUT	ASTM A194-2HM	
8	STEM	ASTM A182-F316	
9	YOKE TUBE ASS'Y	ANSI 1020	
10	GEAR	ASTM A216-WCB	
11	CONNECTING NUT	ANSI 1020	
12	STEM PROTECT & INDICATION PLASTIC		NACE
13	BOLT	ASTM A193-B7M	
14	NUT	ASTM A194-2HM	
15	BONNET	ASTM A216-WCC	
16	PACKING FITTING	ASTM A276-316	
17	VENT VALVE	ASTM A276-316	
18	INJECTION FITTING	ASTM A276-316	
19	PLUG	ASTM A276-316	
20	NUT	ASTM A194-2HM	
21	GLAND FLANGE	ASTM A216-WCC	
22	GLAND FOLLOWER	ASTM A276-316	
23	LANTERN RING	ASTM A276-316	
24	PACKING	INCONEL800+GRAPHITE	
25	O RING	VTION A	



ITEM	FIG NO	SIZE	UNIT	Ød	Ød1	Ød2	ØD	b	n-ØE	L	H (shut)	H (open)	H1	ØW	Sp	Weight(lbs/Kgs)
01	38F61DWCCGO	14"	mm	334	412.8	514.4	585	54.4	20-Ø32	762	1440	1812	641	460	22.4	2612/1185
		14"	Inch	13.19	16.3	20.3	23.0	2.14	20-Ø1-1/4	30.0	56.7	71.3	25.2	18.1	0.88	
02	38F61DWCCGO	16"	mm	385	469.9	571.5	650	57.6	20-Ø35	838	1571	1996	728	460	23.9	3153/1430
		16"	Inch	15.19	18.5	22.5	25.5	2.30	20-Ø1-3/8	33.0	61.9	78.6	28.7	18.1	0.94	
03	38F61DWCCGO	18"	mm	436	533.4	628.6	710	60.8	24-Ø35	914	1688	2160	782	610	25.4	3638/1650
		18"	Inch	17.19	21.0	24.8	28.0	2.39	24-Ø1-3/8	36.0	66.5	85.0	30.79	24.0	1.0	
04	38F61DWCCGO	20"	mm	487	584.2	685.8	775	64	24-Ø35	991	1821	2342	863.5	610	26.9	4233/1920
		20"	Inch	19.19	23.0	27.0	30.5	2.52	24-Ø1-3/8	39.0	71.7	92.2	34.0	24.0	1.06	
05	38F61DWCCGO	24"	mm	589	692.2	812.8	915	70.3	24-Ø41	1143	2215	2851	1060	710	30.2	5688/2580
		24"	Inch	23.19	27.3	32.0	36.0	2.76	24-Ø1-5/8	45.0	87.2	112.2	41.73	28.0	1.19	

**WILLIAMS**  
VALVE CORPORATION

38-52 REVIEW AVENUE  
LONG BRAND CITY, NY 11101

TEL: 718-392-1660  
FAX: 718-759-5106

WWW.WILLIAMSVALVE.COM

MARKING SYSTEM		MSS-SP-25		INSPECTION & TEST: API6D		MATERIAL: ASTM A216 WCC		CLASS: 300		DATE: 04/25/19		UNITS: Inch, mm	
DIM OF FLANGE		ANSI B16.5		SHELL HYDRO 1125PSI		HYDRO 825PSI		CLASS: 300		SCALE: N.T.S.		FIG. No.: 38F61DWCCGO	
FACE TO FACE		API 6D		SEAT AIR		AIR 80PSI		SIZE: 14"-24"		DRAWN BY: F.J.		CHK'D & APR'D BY: E.C.	
WALL THICKNESS		API 600		BACK SEAT HYDRO 825PSI		NACE MR 0175		REV. 1		DWG No.:			
NO.1 DATE		DESCRIPTION		PRPD		REV'D		APP'D					
04/25/19		RELEASED		F.J.		E.C.		E.C.					