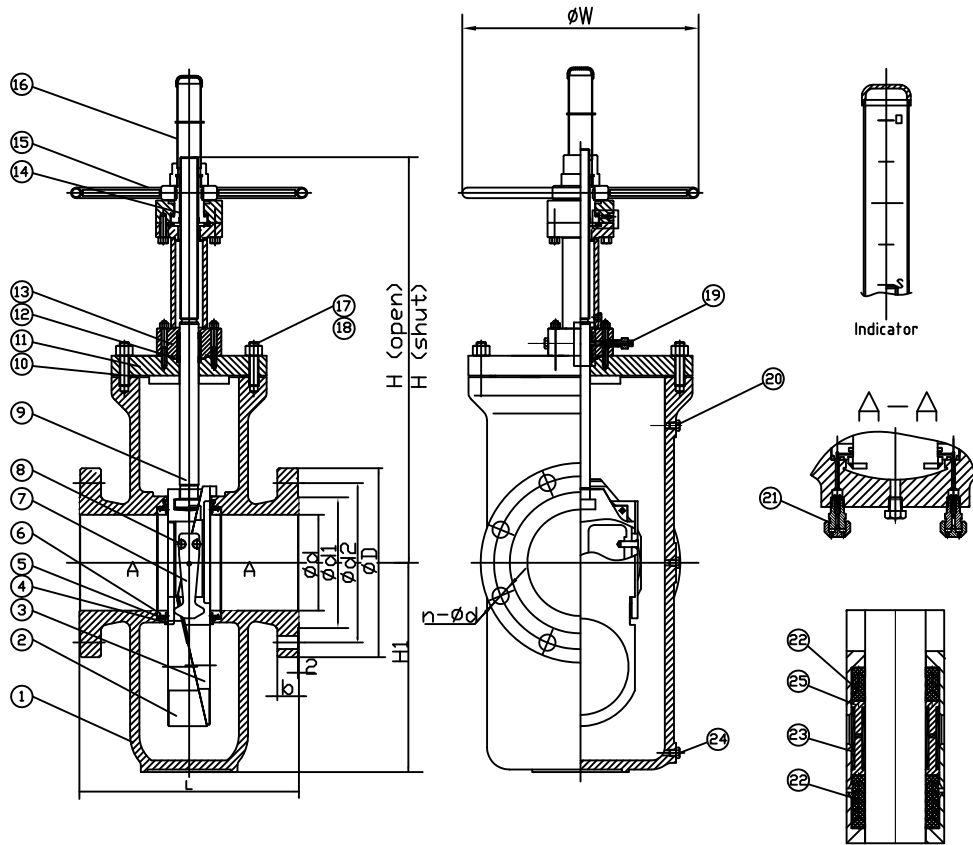


Wm. E. Williams No. 39F-61D Class 300 RF Expanding Gate Valve ASTM A216 WCC NACE



ITEM	NAME	SPECIFICATION	NOTE
1	BODY	ASTM A216 WCC	
2	MAJOR GATE	A515. GR.70+ENP	
3	MINOR GATE ASSLY	A515. GR.70+ENP	
4	GATE GUIDE	Q235-A+ENP	
5	O RING	VITON	
6	SEAT	ASTM A105N+ENP+DEVLON	
7	LEVER LOCK ARM	AISI 1025+ENP	
8	LEVER LOCK PIN	ASTM A276 410	
9	STEM	ASTM A182 F316	
10	BONNET GASKET	316+GRAPHITE	
11	BONNET	ASTM A105N	NACE
12	GASKET	316+GRAPHITE	
13	YOKE TUBE ASSLY	AISI 1020	
14	STEM NUT	ZCUAL9-4	
15	HAND WHEEL ASSY	ASTM A536 60-40	
16	STEM PROTECT&INDICATION	PLASTIC	
17	BOLT	ASTM A193 B7M	
18	NUT	ASTM A194 2HM	
19	PACKING FITTING	SS304	
20	VENT VALVE	SS304	
21	INJECTION	SS304	
22	PACKING RING	RPTFE	
23	INJECTION PACKING	YP7603	
24	DRAIN	SS304	
25	LANTERN RING	SS316	
26	PLUG	SS304	

UNIT	NPS	φd	φd1	φd2	φD	b	n-φd	L	H (shut)	H (open)	H1	φW
mm	4"	100	157.2	200	255	32.2	8-φ22	305	666	787	190	350
Inch	4"	3.94	6.2	7.9	10.0	1.27	8-φ0.87	12.0	26.2	31.0	7.5	13.8
mm	6"	150	215.9	269.9	320	37	12-φ22	403	911	1089	343	450
Inch	6"	5.9	8.5	10.5	12.6	1.46	12-φ0.87	15.9	35.9	42.9	13.5	17.7

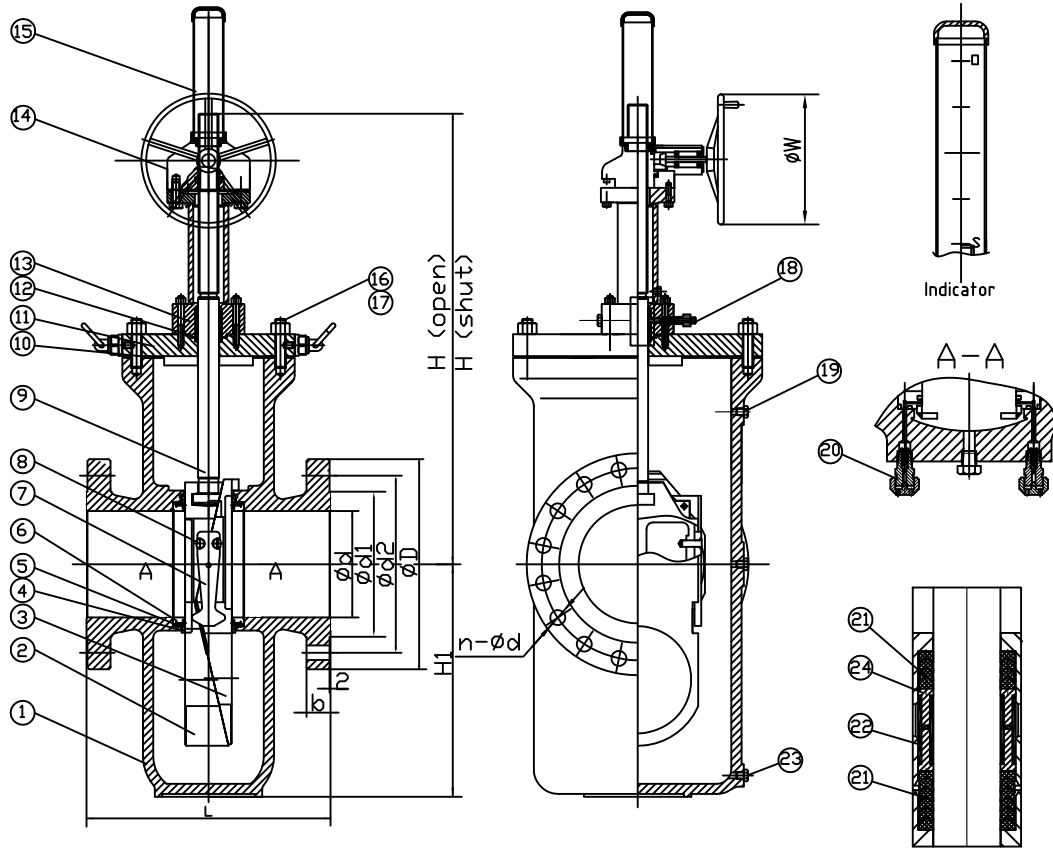
WILLIAM E. WILLIAMS VALVE CORPORATION
 38-52 REVIEW AVENUE LONG ISLAND CITY, NY 11101
 TEL: 718-392-1660 FAX: 718-729-5106

TITLE: CAST STEEL EXPANDING GATE VALVE CLASS 300 - ENP TRIM WITH DEVLON SEAT	
MATERIAL: ASTM A216 GR.WCC	UNITS: Inch, mm
CLASS: 300	DATE: 08/31/15
SCALE: N.T.S.	FIG. No.: 39F-61D
SIZE: 4" - 6"	DRAWN BY: F.J.
DESIGNED: API 6D	CHK'D & APR'D BY: R.P.
BACK SEAT HYDRO 815PSI	REV: 2
NACE MR 0175	DWG No.: 60EG120457-28

NO.	DATE	DESCRIPTION	PRP'D	REV'D	APP'D
Δ	1/21/16	RELEASED PER P/L UPDATE	F.J.	R.P.	R.P.
Δ	8/31/15	RELEASED	F.J.	R.P.	R.P.

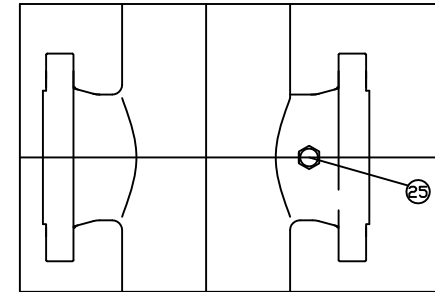
MARKING SYSTEM	MSS-SP-25	INSPECTION & TEST: API 6D
DIM.OF FLANGE	ANSI B16.5	SHELL HYDRO 1125PSI
FACE TO FACE	API 6D	SEAT AIR 80PSI
DESIGNED	API 6D	BACK SEAT HYDRO 815PSI

Wm. E. Williams No. 39F-61D GO Class 300 RF Expanding Gate Valve ASTM A216 WCC NACE



ITEM	NAME	SPECIFICATION	NOTE
1	BODY	ASTM A216 WCC	NACE
2	MAJOR GATE	A515. GR.70+ENP	
3	MINOR GATE ASSLY	A515. GR.70+ENP	
4	GATE GUIDE	Q235-A+ENP	
5	O RING	VITON	
6	SEAT	ASTM A105N+ENP+Devlon	
7	LEVER LOCK ARM	AISI 1025+ENP	
8	LEVER LOCK PIN	ASTM A276 410	
9	STEM	ASTM A182 F316	
10	BONNET GASKET	316+GRAPHITE	
11	BONNET	ASTM A105N	
12	GASKET	316+GRAPHITE	
13	YOKE TUBE ASSLY	AISI 1020	
14	GEAR	ASTM A216 WCB	
15	STEM PROTECT&INDICATION	PLASTIC	
16	BOLT	ASTM A193 B7M	
17	NUT	ASTM A194 2HM	
18	PACKING FITTING	SS304	
19	VENT VALVE	SS304	
20	INJECTION	SS304	
21	PACKING RING	RPTFE	
22	INJECTION PACKING	YP7603	
23	DRAIN	SS304	
24	LANTERN RING	SS316	
25	PLUG	SS304	

Unit	NPS	φd	φd1	φd2	φD	b	n-φd	L	H (shut)	H (open)	H1	φW
mm	8"	201	269.9	330.2	380	4.17	12-φ25	4.19	986	1205	400	460
Inch	8"	7.9	10.6	13.0	15.0	1.64	12-φ0.98	16.5	38.8	47.5	15.8	18.1
mm	10"	252	323.8	387.4	445	4.81	16-φ29	4.57	1152	1424	491	460
Inch	10"	9.9	12.8	15.3	17.5	1.9	16-φ1.14	18.0	45.4	56.1	19.3	18.1
mm	12"	303	381	450.8	520	5.13	16-φ32	5.02	1295	1620	586	460
Inch	12"	12.0	15.0	17.8	20.5	2.0	16-φ1.26	19.8	51.0	63.8	23.1	18.1

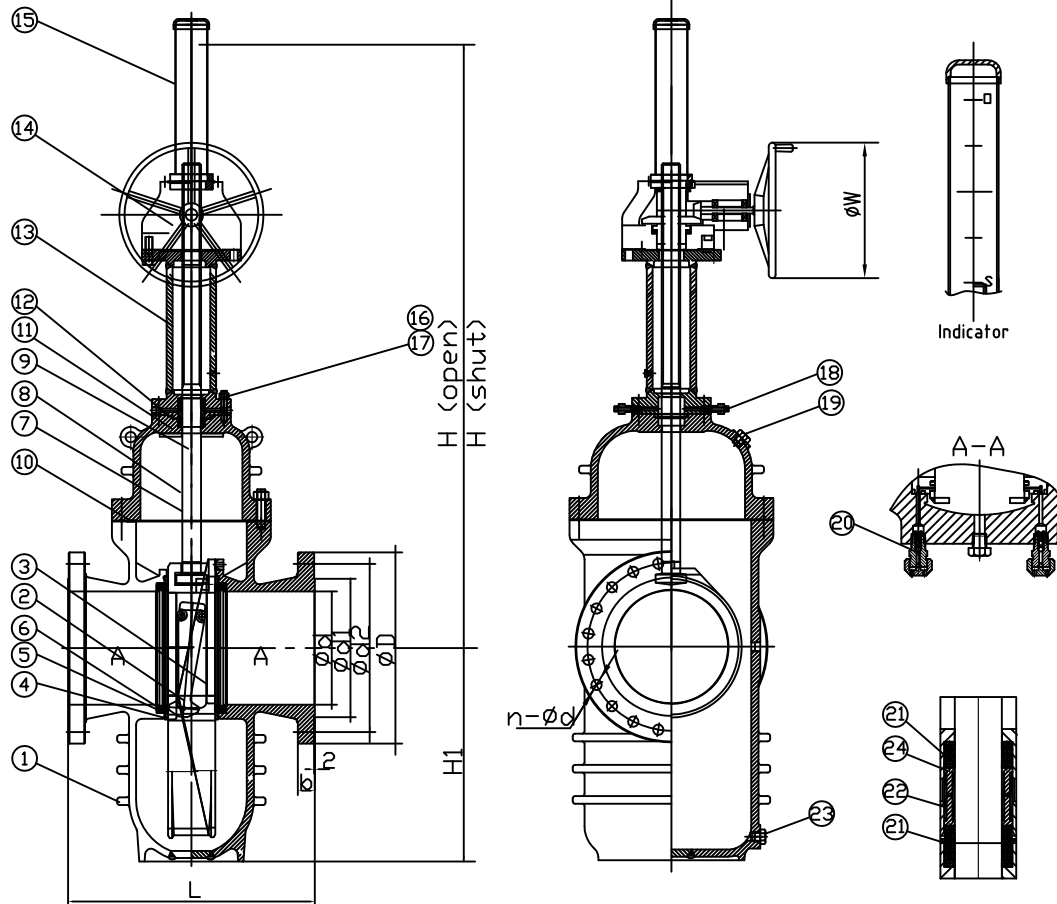


WILLIAM E. WILLIAMS VALVE CORPORATION
 38-52 REVIEW AVENUE LONG ISLAND CITY, NY 11101
 TEL: 718-392-1660 FAX: 718-729-5106
 WWW.WILLIAMSVALVE.COM

TITLE:		CAST STEEL EXPANDING GATE VALVE CLASS 300 - ENP TRIM - GEAR OPERATED	
MATERIAL:	ASTM A216 GR.WCC	UNITS:	Inch, mm
CLASS:	300	DATE:	09/02/15
SCALE:	N.T.S.	FIG. No.:	39F-61D GO
SIZE:	8" - 12"	DRAWN BY:	F.J.
DESIGNED:	API 6D	CHK'D & APP'D BY:	R.P.
MARKING SYSTEM	MSS-SP-25	INSPECTION & TEST:	API 6D
DIM.OF FLANGE	ANSI B16.5	SHELL	HYDRO 1125PSI
FACE TO FACE	API 6D	SEAT	AIR 80PSI
DESIGNED	API 6D	BACK SEAT	HYDRO 815PSI
NO.	DATE	DESCRIPTION	PRP'D
NO.	DATE	DESCRIPTION	REV'D
NO.	DATE	DESCRIPTION	APP'D

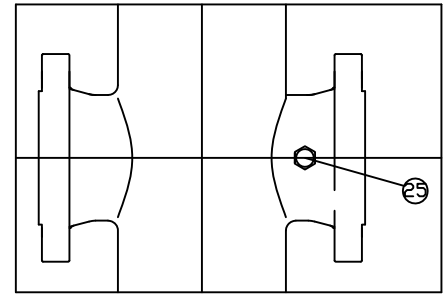
NO.	DATE	DESCRIPTION	PRP'D	REV'D	APP'D	MARKING SYSTEM	MSS-SP-25	INSPECTION & TEST:	API 6D	MATERIAL:	ASTM A216 GR.WCC	UNITS:	Inch, mm
Δ	1/21/16	RELEASED PER P/L UPDATE	F.J.	R.P.	R.P.	DIM.OF FLANGE	ANSI B16.5	SHELL	HYDRO 1125PSI	CLASS:	300	DATE:	09/02/15
Δ	9/2/15	RELEASED	F.J.	R.P.	R.P.	FACE TO FACE	API 6D	SEAT	AIR 80PSI	SIZE:	8" - 12"	FIG. No.:	39F-61D GO
NO.	DATE	DESCRIPTION	PRP'D	REV'D	APP'D	DESIGNED	API 6D	BACK SEAT	HYDRO 815PSI	DRAWN BY:	F.J.	CHK'D & APP'D BY:	R.P.
								NACE MR 0175		REV:	2	DWG No.:	60EG120458-8-12-28

Wm. E. Williams No. 39F-61D GO Class 300 RF Expanding Gate Valve ASTM A216 WCC NACE



ITEM	NAME	SPECIFICATION	NOTE
1	BODY	ASTM A216 WCC	NACE
2	MAJOR GATE	A515. GR.70 +ENP	
3	MINOR GATE ASSLY	A515. GR.70 +ENP	
4	GATE GUIDE	Q235-A+ENP	
5	O RING	Viton	
6	SEAT	ASTM A105N+ENP+Devlon	
7	LEVER LOCK ARM	AISI 1025+ENP	
8	LEVER LOCK PIN	ASTM A276 410	
9	STEM	ASTM A182 F316	
10	Bonnet Gasket	316+GRAPHITE	
11	BONNET	ASTM A216 WCC	
12	GASKET	316+GRAPHITE	
13	YOKE TUBE ASSLY	AISI 1020	
14	GEAR		
15	STEM PROTECT&INDICATION	PLASTIC	
16	BOLT	ASTM A193 B7M	
17	NUT	ASTM A194 2HM	
18	PACKING FITTING	SS304	
19	VENT VALVE	SS304	
20	INJECTION	SS304	
21	PACKING RING	RPTFE	
22	INJECTION PACKING	YP7603	
23	DRAIN	SS304	
24	LANTERN RING	SS316	
25	PLUG	SS304	

Unit	NPS	ød	ød1	ød2	øD	b	n-ød	L	H (shut)	H (open)	H1	øW
mm	14"	334	412.8	514.4	585	54.4	20-ø32	762	1185	1610	655	610
Inch	14"	13.2	16.3	20.3	23.0	2.2	20-ø1.3	30.0	46.7	63.4	25.8	24.0
mm	16"	385	469.9	571.5	648	57.6	20-ø35	838	1738	2150	726	610
Inch	16"	15.2	18.4	22.5	25.5	2.3	20-ø1.4	33.0	68.4	84.7	28.6	24.0
mm	18"	436	533.4	628.6	710	60.8	24-ø35	914	1906	2377	812	710
Inch	18"	17.2	21.0	24.8	28.0	2.4	24-ø1.4	36.0	75.0	93.6	32.0	28.0
mm	20"	487	584.2	685.8	775	64	24-ø35	991	2074	2605	899	710
Inch	20"	19.2	23.0	27.0	30.5	2.5	24-ø1.4	39.0	81.7	103.0	35.4	28.0
mm	24"	589	692.2	812.8	915	70.3	24-ø41	1143	2395	3012	1061	710
Inch	24"	23.2	27.3	32.0	36.0	2.8	24-ø1.6	45.0	94.3	118.6	41.8	28.0



WILLIAM E. WILLIAMS VALVE CORPORATION
 38-52 REVIEW AVENUE LONG ISLAND CITY, NY 11101
 TEL: 718-392-1660 FAX: 718-729-5106

TITLE: CAST STEEL EXPANDING GATE VALVE CLASS 300 - ENP TRIM - GEAR OPERATED

MATERIAL: ASTM A216 GR.WCC	UNITS: Inch, mm
CLASS: 300	DATE: 09/02/15
SIZE: 14" - 24"	SCALE: N.T.S.
DRAWN BY: F.J.	FIG. No.: 39F-61D GO
CHK'D & APR'D BY: R.P.	REV: 2
DWG No.: 60EG120458-14-24-28	

NO.	DATE	DESCRIPTION	PRP'D	REV'D	APP'D
1	1/21/16	RELEASED PER P/L UPDATE	F.J.	R.P.	R.P.
2	9/2/15	RELEASED	F.J.	R.P.	R.P.

MARKING SYSTEM	MSS-SP-25	INSPECTION & TEST: API 6D
DIM.OF FLANGE	ANSI B16.5	SHELL HYDRO 1125PSI
FACE TO FACE	API 6D	SEAT AIR 80PSI
DESIGNED	API 6D	BACK SEAT HYDRO 815PSI
NACE MR 0175		