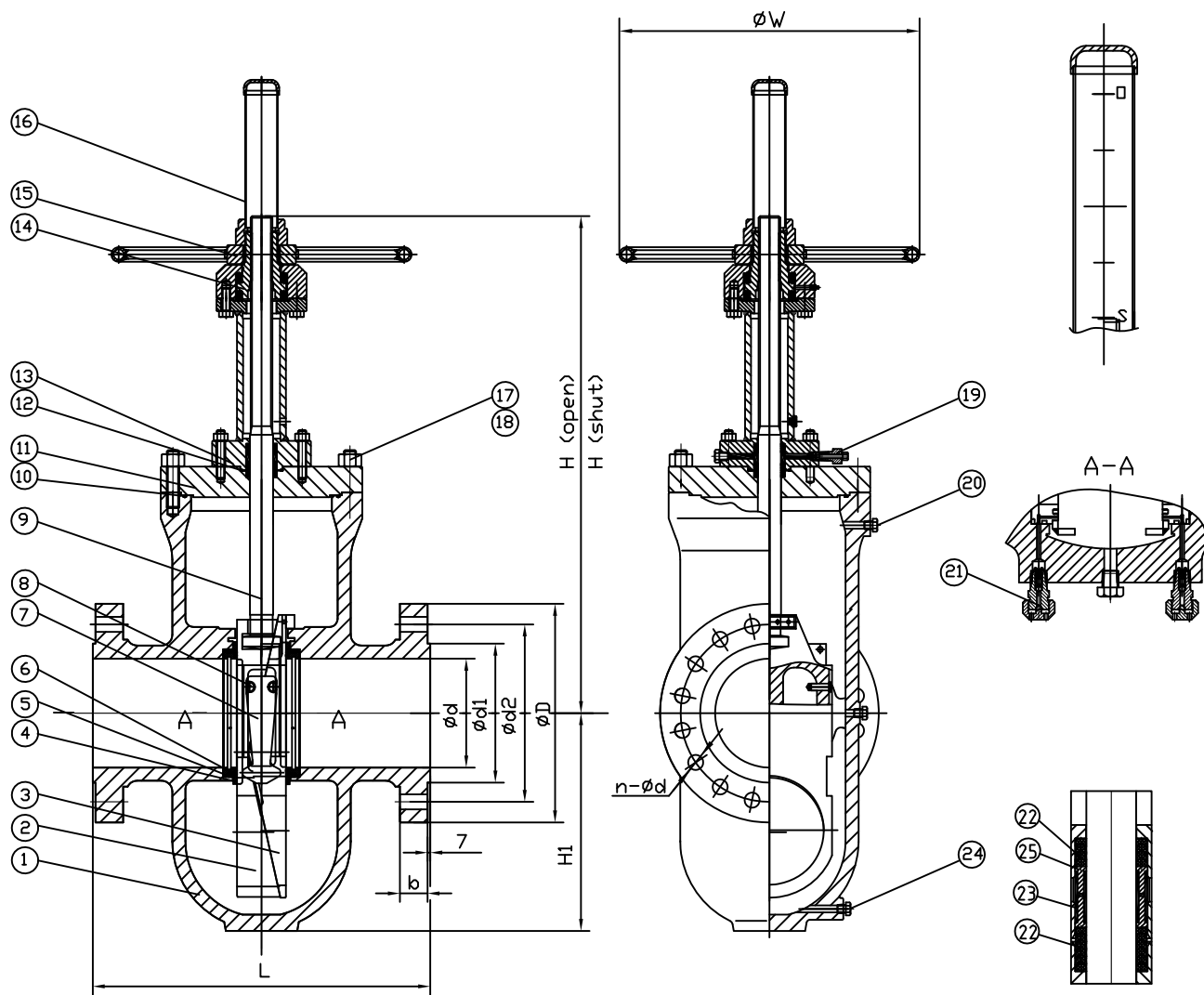
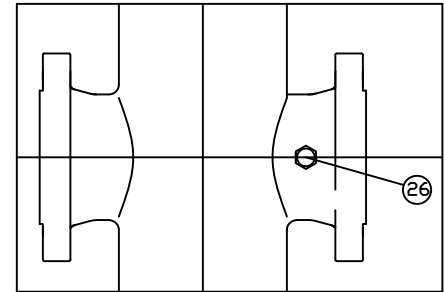


# Wm. E. Williams No. 69F-61D Class 600 RF Expanding Gate Valve ASTM A216 WCC NACE



ITEM	NAME	MATERIAL	NOTE
1	BODY	A216-WCC	NACE
2	MAJOR GATE	A515. GR.70 +ENP	
3	MINOR GATE ASSLY	A515. GR.70 +ENP	
4	GATE GUIDE	Q235-A+ENP	
5	O RING	Viton	
6	SEAT	A105+ENP+DEVLON	
7	LEVER LOCK ARM	A1025+ENP	
8	LEVER LOCK PIN	A276-410	
9	STEM	A182-F316	
10	FLAT GASKET	SS316+GRAPHITE	
11	BONNET	A105	
12	GASKET	SS316+GRAPHITE	
13	YOKE TUBE ASSLY	A1020	
14	STEM NUT	ZCUAL9-4	
15	HAND WHEEL ASSY	ASTM A536 60-40	
16	STEM PROTECT & INDICATION	PLASTIC	
17	BOLT	A193-B7M	
18	NUT	A194-2HM	
19	PACKING FITTING	SS304	
20	VENT VALVE	SS304	
21	INJECTION	SS304	
22	PACKING RING	RPTFE	
23	INJECTION PACKING	YP7603	
24	DRAIN	SS304	
25	LANTERN RING	SS316	
26	PLUG	SS304	



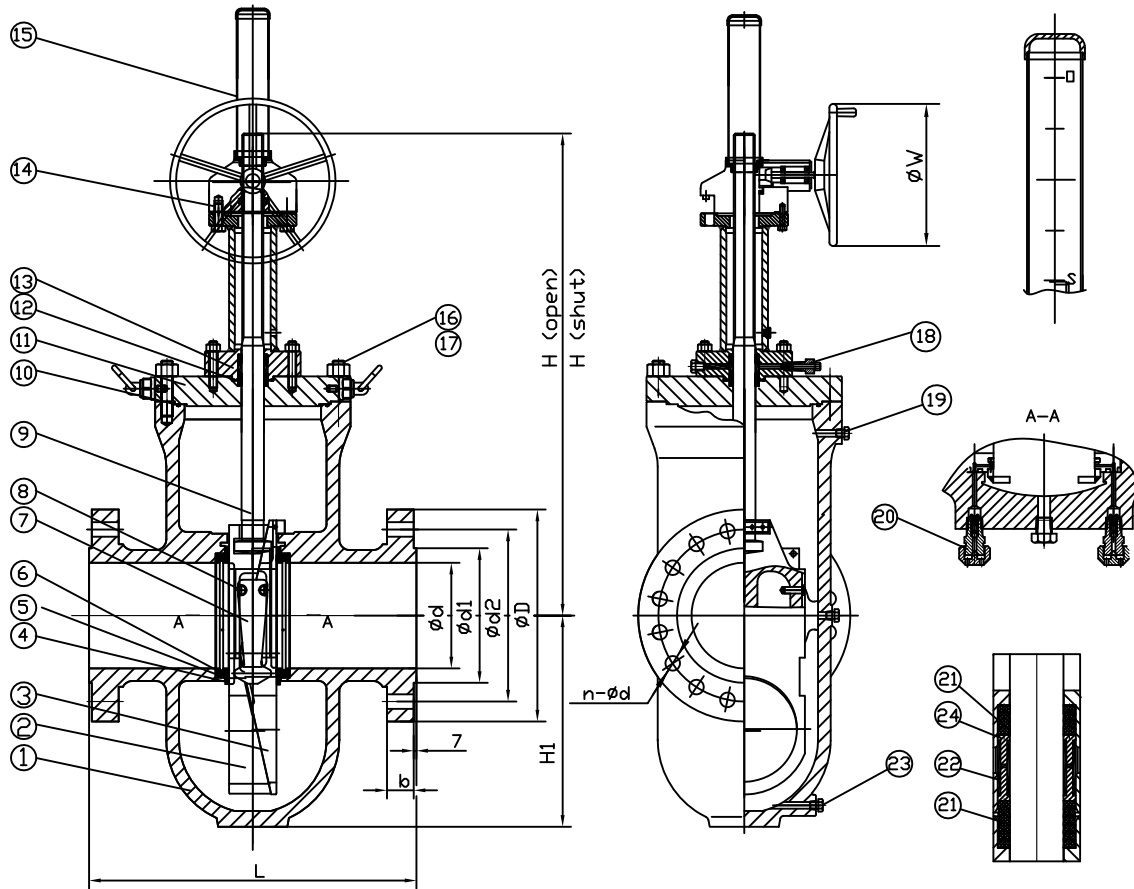
UNIT	NPS	ød	ød1	ød2	øD	b	n-ød	L	H (shut)	H (open)	H1	øW
mm	4"	100	157.2	215.9	275	38.1	8-ø25	432	684	811	256	400
Inch	4"	4.0	6.2	8.5	10.8	1.5	8-ø0.98	17.0	26.9	32.0	10.1	15.8
mm	6"	150	215.9	292.1	355	47.7	12-ø29	559	836	1150	322	500
Inch	6"	5.9	8.5	11.5	14.0	1.9	12-ø1.14	22.0	32.9	45.3	12.7	19.7

WILLIAM E. WILLIAMS VALVE CORPORATION  
 38-52 REVIEW AVENUE, LONG ISLAND CITY, NY 11101  
 TEL: 718-392-1660 FAX: 718-729-5106

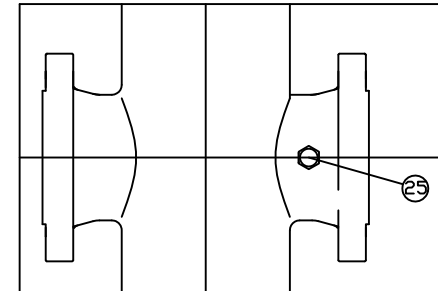
TITLE: CAST STEEL API-6D EXPANDING GATE VALVE CLASS 600 - ENP TRIM WITH DEVLON SEAT

NO.	DATE	DESCRIPTION	PRP'D	REV'D	APP'D	MARKING SYSTEM	MSS-SP-25	INSPECTION & TEST: API 6D	MATERIAL: ASTM A216 GR.WCC	UNITS: Inch, mm	
Δ	1/28/16	RELEASED	F.J.	R.P.	R.P.	DIM.OF FLANGE	ANSI B16.5	SHELL HYDRO 2250PSI	CLASS: 600	DATE: 04/28/15	SCALE: N.T.S.
Δ	4/28/15	RELEASED	F.J.	R.P.	R.P.	FACE TO FACE	API 6D	SEAT AIR 80PSI	SIZE: 4" - 6"		FIG. No.: 69F-61D
						DESIGNED	API 6D	BACK SEAT HYDRO 1630PSI	DRAWN BY: F.J.		
								NACE MR 0175	CHK'D & APR'D BY: R.P.	REV: 2	DWG No.: 60EG120432-28

# Wm. E. Williams No. 69F-61D GO Class 600 RF Expanding Gate Valve ASTM A216 WCC NACE



ITEM	PART	MATERIAL	NOTE
1	BODY	A216-WCC	NACE
2	MAJOR GATE	A216-WCC+ENP	
3	MINOR GATE ASSLY	A216-WCC+ENP	
4	GATE GUIDE	Q235-A+ENP	
5	O RING	Viton	
6	SEAT	A105+ENP+DEVLON	
7	LEVER LOCK ARM	25+ENP	
8	LEVER LOCK PIN	A276-410	
9	STEM	A182-F316	
10	FLAT GASKET	SS316+GRAPHITE	
11	BONNET	A105	
12	GASKET	SS316+GRAPHITE	
13	YOKE TUBE ASSLY	AISI A1020	
14	GEAR		
15	STEM PROTECT & INDICATION	PLASTIC	
16	BOLT	A193-B7M	
17	NUT	A194-2HM	
18	PACKING FITTING	SS304	
19	VENT VALVE	SS304	
20	INJECTION	SS304	
21	PACKING RING	RPTFE	
22	INJECTION PACKING	YP7603	
23	DRAIN	SS304	
24	LANTERN RING	SS316	
25	PLUG	SS304	



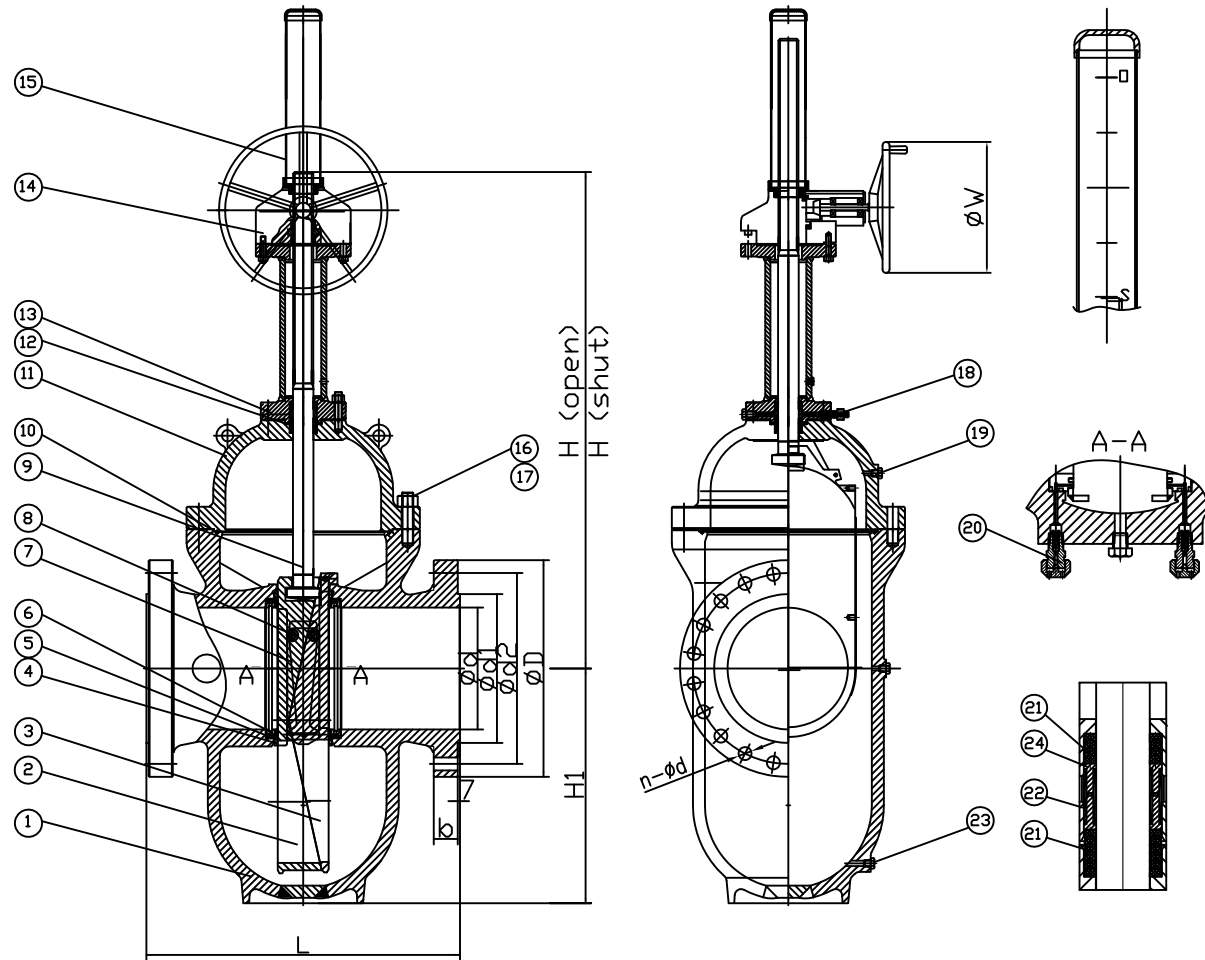
UNIT	NPS	φd	φd1	φd2	φD	b	n-φd	L	H (shut)	H (open)	H1	φW
mm	8"	201	269.9	349.2	420	55.6	12-φ32	660	985	1205	418	460
Inch	8"	7.9	10.6	13.8	16.6	2.2	12-φ1.26	26.0	38.8	47.5	16.5	18.1
mm	10"	252	323.8	431.8	510	63.5	16-φ35	787	1160	1436	508	460
Inch	10"	9.9	12.8	17.0	20.1	2.5	16-φ1.38	31.0	45.7	56.5	20.0	18.1
mm	12"	303	381	489	560	66.7	20-φ35	838	1298	1625	586	460
Inch	12"	11.9	15.0	19.3	22.1	2.6	20-φ1.38	33.0	51.1	64.0	23.0	18.1

WILLIAM E. WILLIAMS VALVE CORPORATION  
 38-52 REVIEW AVENUE LONG ISLAND CITY, NY 11101  
 TEL: 718-392-1660 FAX: 718-729-5106

TITLE: CAST STEEL API-6D EXPANDING GATE VALVE  
 CLASS 600 - ENP TRIM WITH DEVLON SEAT - GEAR OPERATED

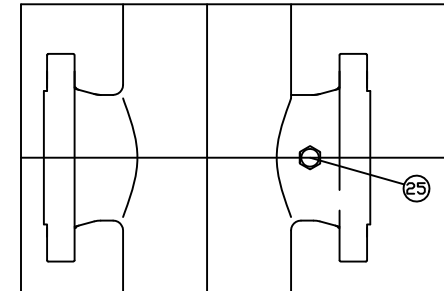
NO.	DATE	DESCRIPTION	PRP'D	REV'D	APP'D	MARKING SYSTEM	MSS-SP-25	INSPECTION & TEST: API 6D	MATERIAL: ASTM A216 GR.WCC	UNITS: Inch, mm	
Δ	1/29/16	RELEASED PER P/L UPDATE	F.J.	R.P.	R.P.	DIM.OF FLANGE	ANSI B16.5	SHELL HYDRO 2250PSI	CLASS: 600	DATE: 04/28/15	SCALE: N.T.S.
Δ	4/28/15	RELEASED	F.J.	R.P.	R.P.	FACE TO FACE	API 6D	SEAT AIR 80PSI	SIZE: 8" - 12"	FIG. No.:	69F-61D GO
						DESIGNED	API 6D	BACK SEAT HYDRO 1630PSI	DRAWN BY: F.J.		
								NACE MR 0175	CHK'D & APR'D BY: R.P.	REV: 2	DWG No.60EG120433-8-12-28

# Wm. E. Williams No. 69F-61D GO Class 600 RF Expanding Gate Valve ASTM A216 WCC NACE



BILL OF MATERIAL		
NO:	PART NAME	MATERIAL
1	BODY	ASTM A216 WCC
2	MAJOR GATE	A515. GR.70 +ENP
3	MINOR GATE ASSLY	A515. GR.70 +ENP
4	GATE GUIDE	ASTM A283 GRD+ENP
5	O RING	VITON
6	SEAT	A105+ENP+DEVLON
7	LEVER LOCK ARM	A1025+ENP
8	LEVER LOCK PIN	ASTM A276 410
9	STEM	A182-F316
10	FLAT GASKET	SS316+GRAPHITE
11	BONNET	A216-WCC
12	GASKET	SS316+GRAPHITE
13	YOKE TUBE ASSEMBLY	A1020
14	GEAR	GEAR BOX ASSEMBLY
15	STEM PROTECT/INDICATOR	PLASTIC
16	BOLT	ASTM A193 B7M
17	NUT	ASTM A194 2HM
18	PACKING FITTING	SS304
19	VENT VALVE	SS304
20	INJECTION	SS304
21	PACKING RING	RPTFE
22	INJECTION PACKING	YP7603
23	DRAIN	SS304
24	LANTERN RING	SS316
25	PLUG	SS304

UNIT	NPS	φd	φd1	φd2	φD	b	n-φd	L	H (shut)	H (open)	H1	φW
mm	14"	334	412.8	527	605	69.9	20-φ38	889	1470	1830	656	610
Inch	14"	13.2	16.3	20.8	23.8	2.8	20-φ1.5	35.0	57.9	72.1	25.8	24.0
mm	16"	385	469.9	603.2	685	76.2	20-φ41	991	1565	1985	742	710
Inch	16"	15.2	18.5	23.8	27.0	3.0	20-φ1.61	39.0	61.6	78.2	29.2	28.0
mm	18"	436	533.4	654	745	82.6	20-φ44	1092	1765	2240	828	710
Inch	18"	17.2	21.0	25.8	29.3	3.3	20-φ1.73	42.3	69.5	88.2	32.6	27.8
mm	20"	487	584.2	723.9	815	88.9	24-φ44	1194	1965	2495	913	900
Inch	20"	19.2	23.0	28.5	32.1	3.5	24-φ1.73	47.0	77.4	98.2	36.0	35.4
mm	24"	589	692.2	838.2	940	101.6	24-φ51	1397	2328	2974	1085	900
Inch	24"	23.2	27.3	33.0	37.0	4.0	24-φ2.0	55.0	91.7	117.1	42.8	35.4



WILLIAM E. WILLIAMS VALVE CORPORATION  
 38-52 REVIEW AVENUE LONG ISLAND CITY, NY 11101  
 TEL: 718-392-1668 FAX: 718-729-5106

TITLE: CAST STEEL API-6D EXPANDING GATE VALVE  
 CLASS 600 - ENP TRIM WITH DEVLON SEAT - GEAR OPERATED

MARKING SYSTEM	MSS-SP-25	INSPECTION & TEST: API 6D	MATERIAL: ASTM A216 GR.WCC	UNITS: Inch, mm
DIM.OF FLANGE	ANSI B16.5	SHELL HYDRO	CLASS: 600	DATE: 08/11/15
FACE TO FACE	API 6D	SEAT AIR	SIZE: 14" - 24"	SCALE: N.T.S.
DESIGNED	API 6D	BACK SEAT HYDRO	DRAWN BY: F.J.	FIG. No.: 69F-61D GO
NO.	DATE	DESCRIPTION	PRP'D	REV'D

NACE MR 0175  
 CHK'D & APR'D BY: R.P.  
 REV: 2  
 DWG No.: 60EG120433-14-24-28