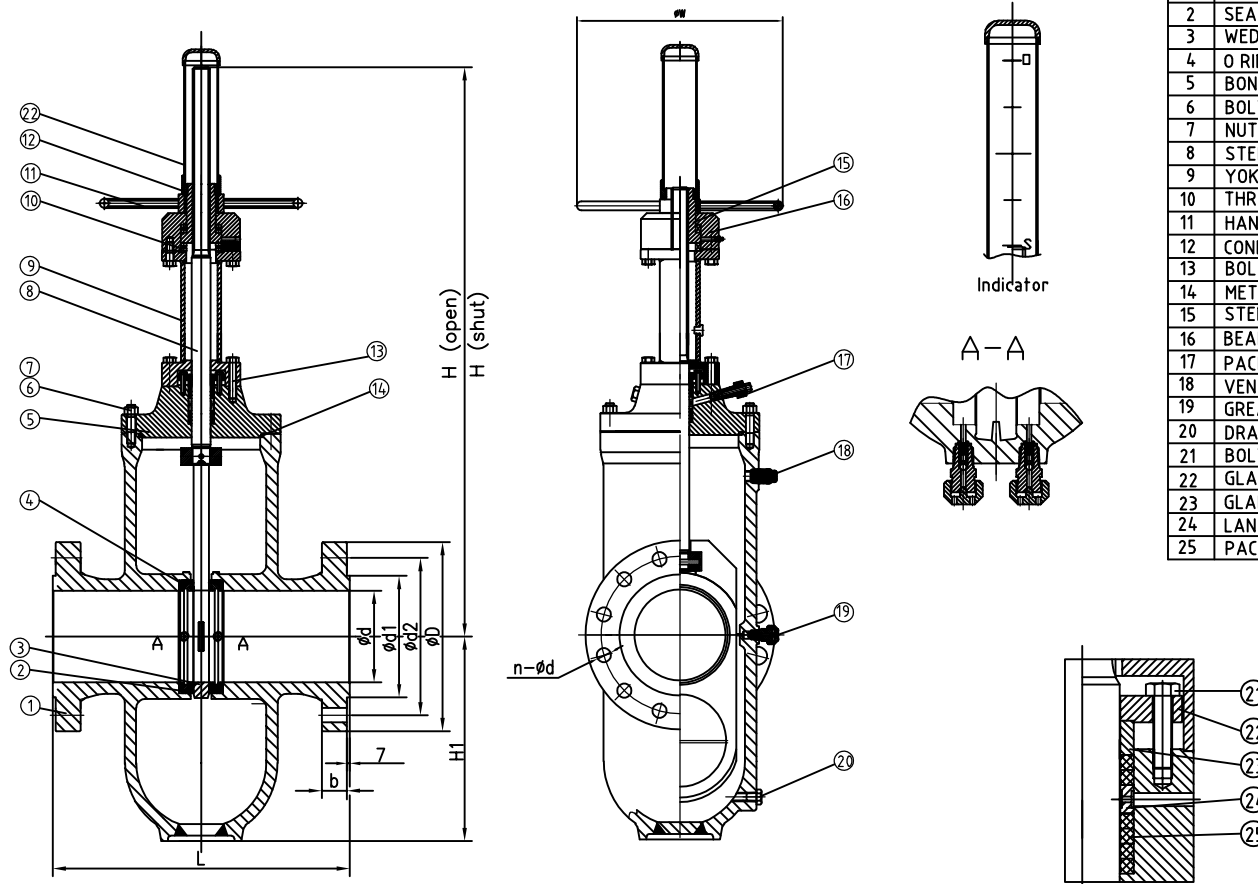


Wm. E. Williams No. 98F-61D Class 900 RF Slab Gate Valve ASTM A216 WCC NACE



| ITEM | NAME | SPECIFICATION | NOTE |
|------|-----------------|------------------|------|
| 1 | VALVE BODY | A216-WCC | NACE |
| 2 | SEAT | A105+ENP+DEVLON | |
| 3 | WEDGE DISC | A515. GR.70 +ENP | |
| 4 | O RING | VITON | |
| 5 | BONNET | A105 | |
| 6 | BOLT | A193-B7M | |
| 7 | NUT | A194-2HM | |
| 8 | STEM | A182-F316 | |
| 9 | YOKE TUBE ASSLY | A1020 | |
| 10 | THRUST WASHER | Bearing steel | |
| 11 | HAND WHEEL ASSY | Ductile Iron | |
| 12 | CONNECTING NUT | A1020 | |
| 13 | BOLTS | A193-B7M | |
| 14 | METAL GASKET | SS304 | |
| 15 | STEM NUT | ZCuAL-9 | |
| 16 | BEARING BOX | A1020 | |
| 17 | PACKING FITTING | SS316 | |
| 18 | VENT VALVE | SS316 | |
| 19 | GREASE FITTING | SS316 | |
| 20 | DRAIN PLUG | SS316 | |
| 21 | BOLTS | A193-B7M | |
| 22 | GLAND FLANGE | ASTM A105N | |
| 23 | GLAND FOLLOWER | SS410 | |
| 24 | LANTERN RING | SS316 | |
| 25 | PACKING RING | BRAIDED GRAPHITE | |

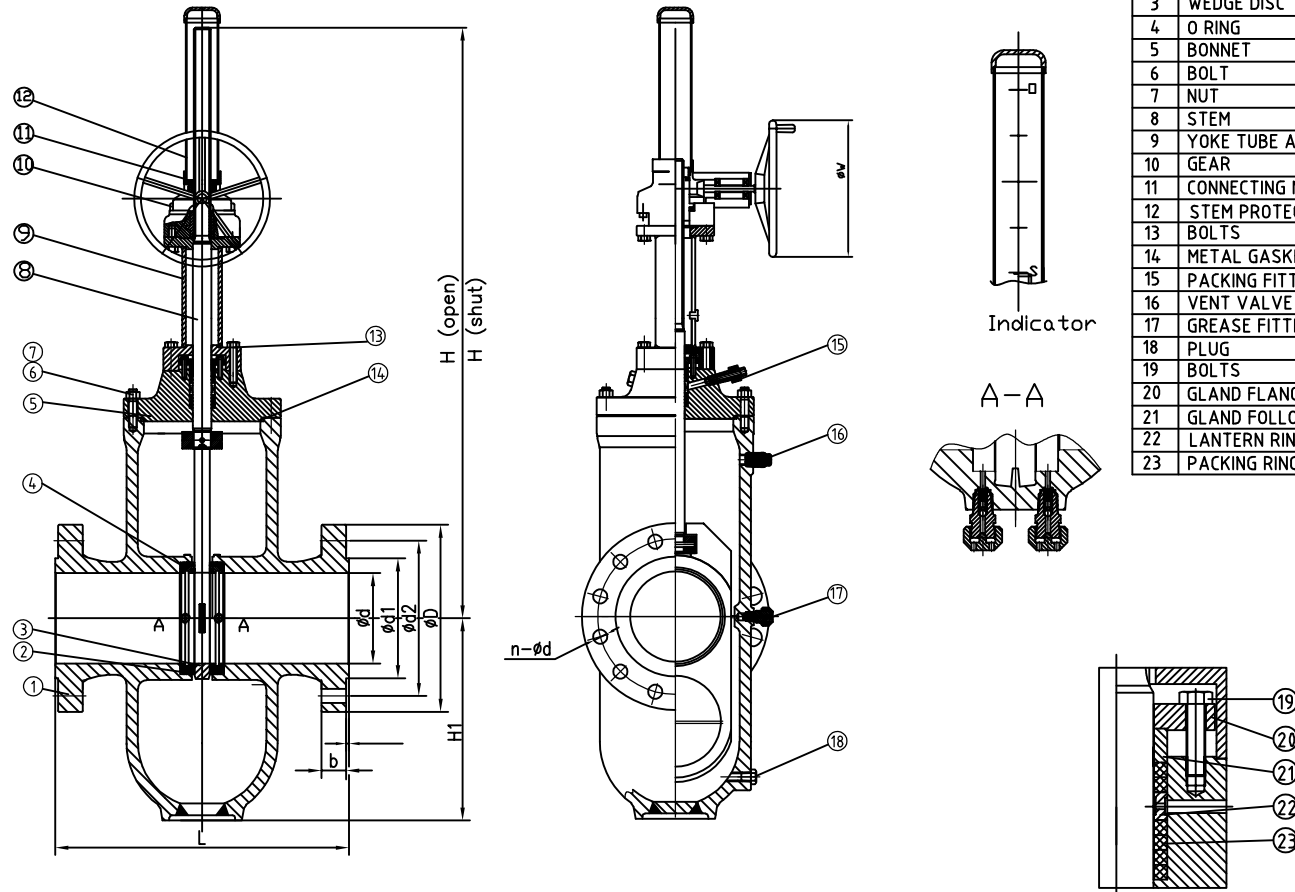
| UNIT | SIZE | φd | φd1 | φd2 | φD | b | n-φd | L | H (shut) | H (open) | H1 | φW |
|------|------|-----|-------|-------|------|------|----------|------|----------|----------|------|------|
| mm | 4" | 100 | 157.2 | 235 | 292 | 44.5 | 8-φ32 | 457 | 675 | 787 | 248 | 500 |
| Inch | 4" | 3.9 | 6.2 | 9.3 | 11.5 | 1.75 | 8-φ1.26 | 18.0 | 26.6 | 7.4 | 9.8 | 19.7 |
| mm | 6" | 150 | 215.9 | 317.5 | 381 | 55.6 | 12-φ32 | 610 | 872 | 1055 | 337 | 500 |
| Inch | 6" | 5.9 | 8.5 | 12.5 | 15.0 | 2.2 | 12-φ1.26 | 24.0 | 34.3 | 41.5 | 13.3 | 19.7 |

WILLIAM E. WILLIAMS VALVE CORPORATION
 38-52 REVIEW AVENUE
 LONG ISLAND CITY, NY 11101
 TEL: 718-992-1660
 FAX: 718-729-5166

TITLE: CAST STEEL API-6D THRU CONDUIT SLAB GATE VALVE
 CLASS 900 - ENP TRIM WITH DEVLON SEATS

| | | | | | | | | | | | | |
|-----|---------|-------------|-------|-------|-------|----------------|------------|---------------------------|--------------------|------------------------|---------------|---------------------------|
| Δ | 6/29/17 | RELEASED | AL | R.P. | R.P. | MARKING SYSTEM | MSS-SP-25 | INSPECTION & TEST: API 6D | MATERIAL: A216 WCC | UNITS: Inch, mm | | |
| Δ | 6/29/16 | RELEASED | F.J. | R.P. | R.P. | DIM.OF FLANGE | ASME B16.5 | SHELL HYDRO 3350PSI | CLASS: 900 | DATE: 08/04/15 | SCALE: N.T.S. | |
| Δ | 8/4/15 | RELEASED | F.J. | R.P. | R.P. | FACE TO FACE | API 6D | SEAT AIR 80PSI | SIZE: 4" - 6" | FIG. No.: | 98F-61D | |
| NO. | DATE | DESCRIPTION | PRP'D | REV'D | APP'D | DESIGNED | API 6D | BACK SEAT HYDRO 2450PSI | DRAWN BY: F.J. | CHK'D & APR'D BY: R.P. | REV: 3 | DWG No.: 60SG120454-46-28 |
| | | | | | | | | NACE MR 0175 | | | | |

Wm. E. Williams No. 98F-61D GO Class 900 RF Slab Gate Valve ASTM A216 WCC



| ITEM | NAME | SPECIFICATION | NOTE |
|------|---------------------------|------------------|------|
| 1 | VALVE BODY | A216-WCC | NACE |
| 2 | SEAT | A105+ENP+DEVLON | |
| 3 | WEDGE DISC | A515. GR.70+ENP | |
| 4 | O RING | VITON | |
| 5 | BONNET | A105 | |
| 6 | BOLT | A193-B7M | |
| 7 | NUT | A194-2HM | |
| 8 | STEM | A182-F316 | |
| 9 | YOKE TUBE ASSLY | A1020 | |
| 10 | GEAR | | |
| 11 | CONNECTING NUT | A1020 | |
| 12 | STEM PROTECT & INDICATION | Plastic | |
| 13 | BOLTS | A193-B7M | |
| 14 | METAL GASKET | SS304 | |
| 15 | PACKING FITTING | SS304 | |
| 16 | VENT VALVE | SS304 | |
| 17 | GREASE FITTING | SS304 | |
| 18 | PLUG | SS304 | |
| 19 | BOLTS | A193-B7M | |
| 20 | GLAND FLANGE | ASTM A105N | |
| 21 | GLAND FOLLOWER | SS316 | |
| 22 | LANTERN RING | SS316 | |
| 23 | PACKING RING | BRAIDED GRAPHITE | |

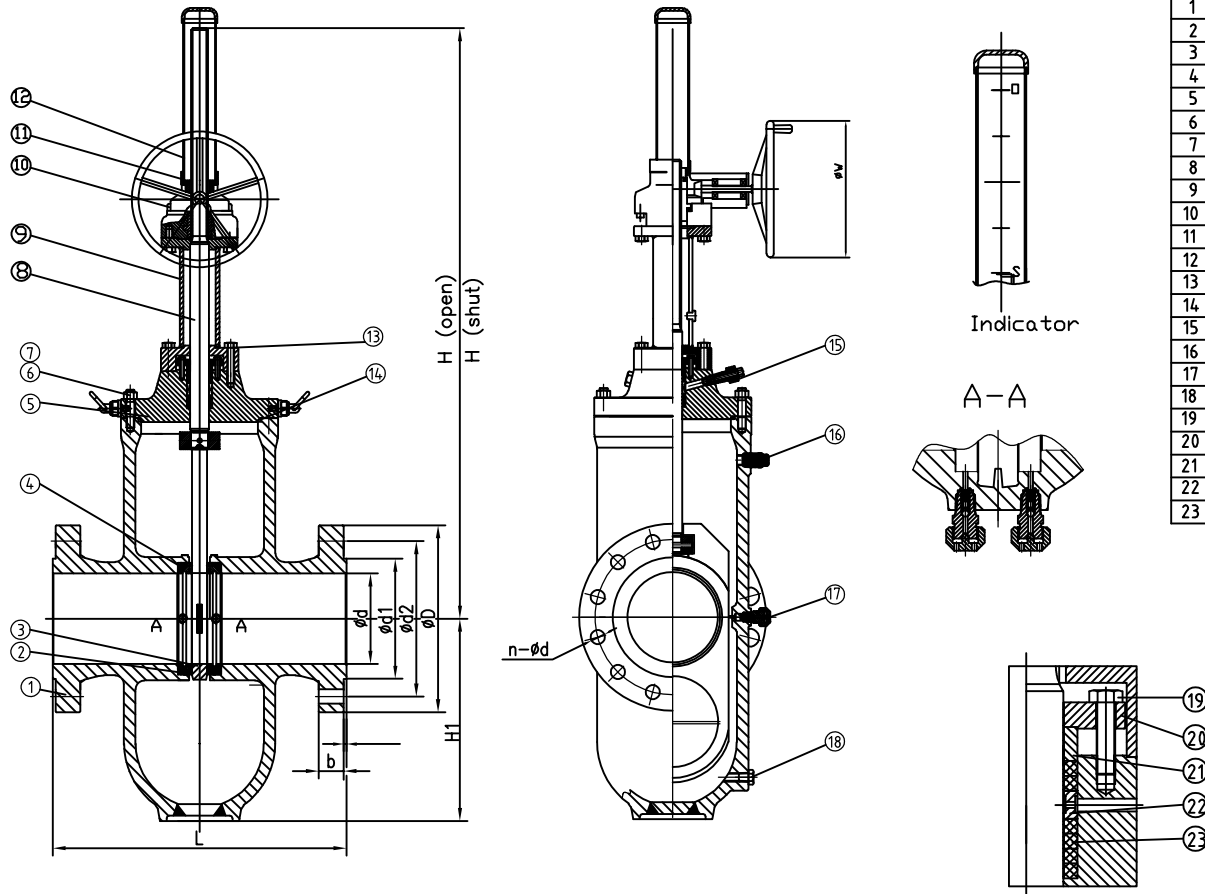
| UNIT | SIZE | φd | φd1 | φd2 | φD | b | n-φd | L | H (shut) | H (open) | H1 | φW |
|------|------|-----|-------|-------|------|------|----------|------|----------|----------|------|------|
| mm | 4" | 100 | 157.2 | 235 | 292 | 44.5 | 8-φ32 | 457 | 675 | 787 | 24.8 | 310 |
| Inch | 4" | 3.9 | 6.2 | 9.3 | 11.5 | 1.75 | 8-φ1.26 | 18.0 | 26.6 | 31.0 | 9.8 | 12.2 |
| mm | 6" | 150 | 215.9 | 317.5 | 381 | 55.6 | 12-φ32 | 610 | 872 | 1055 | 337 | 310 |
| Inch | 6" | 5.9 | 8.5 | 12.5 | 15.0 | 2.19 | 12-φ1.26 | 24.0 | 34.3 | 41.5 | 13.3 | 12.2 |

WILLIAM E. WILLIAMS VALVE CORPORATION
 39-58 REVER AVENUE LONG ISLAND CITY, NY 11101
 TEL: 718-998-1660 FAX: 718-729-5106
 WWW.WILLIAMSVALVE.COM

TITLE: CAST STEEL API-6D THRU CONDUIT SLAB GATE VALVE
 CLASS 900 - ENP TRIM WITH DEVLON SEATS - GEAR OPERATED

| | | | | | | | | | | | |
|----------|----------|-------------|-------|-------|----------------|------------|---------------------------|-------------------------|------------------------|---------------|---------------------------|
| 6/29/17 | RELEASED | A.L. | R.P. | R.P. | MARKING SYSTEM | MSS-SP-25 | INSPECTION & TEST: API 6D | MATERIAL: A216 WCC | UNITS: Inch, mm | | |
| 6/29/16 | RELEASED | F.J. | R.P. | R.P. | DIM.OF FLANGE | ANSI B16.5 | SHELL HYDRO 3350PSI | CLASS: 900 | DATE: 12/11/15 | SCALE: N.T.S. | |
| 12/11/15 | RELEASED | F.J. | R.P. | R.P. | FACE TO FACE | API 6D | SEAT AIR 80PSI | SIZE: 4" - 6" | FIG. No.: | 98F-61D GO | |
| NO. | DATE | DESCRIPTION | PRP'D | REV'D | APP'D | DESIGNED | API 6D | BACK SEAT HYDRO 2450PSI | DRAWN BY: F.J. | | |
| | | | | | | | | | CHK'D & APR'D BY: R.P. | REV: 3 | DWG No.: 60SG120477-46-28 |

Wm. E. Williams No. 98F-61D GO Class 900 RF Slab Gate Valve ASTM A216 WCC



| ITEM | NAME | SPECIFICATION | NOTE |
|------|---------------------------|------------------|------|
| 1 | VALVE BODY | A216-WCC | NACE |
| 2 | SEAT | A105+ENP+DEVLON | |
| 3 | WEDGE DISC | A515. GR.70+ENP | |
| 4 | O RING | VITON | |
| 5 | BONNET | A105 | |
| 6 | BOLT | A193-B7M | |
| 7 | NUT | A194-2HM | |
| 8 | STEM | A182-F316 | |
| 9 | YOKE TUBE ASSLY | A1020 | |
| 10 | GEAR | | |
| 11 | CONNECTING NUT | A1020 | |
| 12 | STEM PROTECT & INDICATION | Plastic | |
| 13 | BOLTS | A193-B7M | |
| 14 | METAL GASKET | SS304 | |
| 15 | PACKING FITTING | SS304 | |
| 16 | VENT VALVE | SS304 | |
| 17 | GREASE FITTING | SS304 | |
| 18 | PLUG | SS304 | |
| 19 | BOLTS | A193-B7M | |
| 20 | GLAND FLANGE | ASTM A105N | |
| 21 | GLAND FOLLOWER | SS316 | |
| 22 | LANTERN RING | SS316 | |
| 23 | PACKING RING | BRAIDED GRAPHITE | |

| UNIT | SIZE | ϕd | $\phi d1$ | $\phi d2$ | ϕD | b | n- ϕd | L | H (shut) | H (open) | H1 | ϕW |
|------|------|----------|-----------|-----------|----------|------|-----------------|------|----------|----------|-------|----------|
| mm | 8" | 201 | 269.9 | 393.7 | 470 | 63.5 | 12- $\phi 38$ | 737 | 1020 | 1253 | 454.5 | 310 |
| Inch | 8" | 7.9 | 10.6 | 15.5 | 18.5 | 2.50 | 12- $\phi 1.50$ | 29.0 | 40.2 | 49.3 | 17.9 | 12.2 |
| mm | 10" | 252 | 323.8 | 469.9 | 546 | 69.9 | 16- $\phi 38$ | 838 | 1136 | 1420 | 520 | 460 |
| Inch | 10" | 9.9 | 12.8 | 18.5 | 21.5 | 2.75 | 16- $\phi 1.50$ | 33.0 | 44.7 | 55.9 | 20.5 | 18.1 |
| mm | 12" | 303 | 381 | 533.4 | 610 | 79.4 | 20- $\phi 38$ | 965 | 1293 | 1627 | 599.5 | 460 |
| Inch | 12" | 11.9 | 15.0 | 21.0 | 24.0 | 3.13 | 20- $\phi 1.50$ | 38.0 | 50.9 | 64.1 | 23.6 | 18.1 |

WILLIAM E. WILLIAMS VALVE CORPORATION
 WWW.WILLIAMSVALVE.COM
 38-52 REVIEW AVENUE
 LONG ISLAND CITY, NY 11101
 TEL: 718-999-1660
 FAX: 718-729-5106

TITLE: CAST STEEL API-6D THRU CONDUIT SLAB GATE VALVE
 CLASS 900 - ENP TRIM WITH DEVLON SEATS - GEAR OPERATED

| | | | | | | | | | | | | |
|----------|----------|------|------|------|----------------|------------|---------------------------|--------------|---------|------------------------|----------------------|---------------------------|
| 6/29/17 | RELEASED | A.L. | R.P. | R.P. | MARKING SYSTEM | MSS-SP-25 | INSPECTION & TEST: API 6D | | | MATERIAL: A216 WCC | | UNITS: Inch, mm |
| | | | | | DIM.OF FLANGE | ANSI B16.5 | SHELL | HYDRO | 3350PSI | CLASS: 900 | DATE: 12/11/15 | SCALE: N.T.S. |
| 6/29/16 | RELEASED | F.J. | R.P. | R.P. | FACE TO FACE | API 6D | SEAT | AIR | 80PSI | SIZE: 8" - 12" | FIG. No.: 98F-61D GO | |
| | | | | | DESIGNED | API 6D | BACK SEAT | HYDRO | 2450PSI | DRAWN BY: F.J. | | |
| 12/11/15 | RELEASED | F.J. | R.P. | R.P. | | | | NACE MR 0175 | | CHK'D & APR'D BY: R.P. | REV: 3 | DWG No.:60SG120477-812-28 |