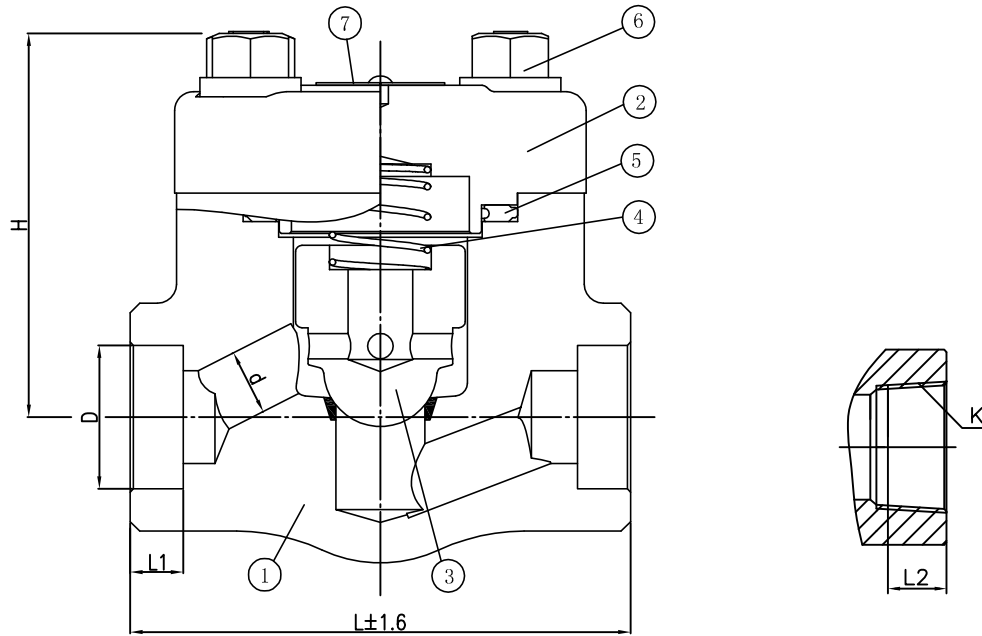


Class 1500 BB Ball Check Valve A105N (API Trim 8) NACE

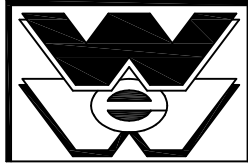
BILL OF MATERIALS

ITEM	PART NAME	MATERIAL	QTY
1	BODY	A105N + HF	1
2	COVER	A105N	1
3	BALL DISC	A276-420	1
4	SPRING	304 SS	1
5	GASKET	F304+Graphite	1
6	BONNET BOLT	A193-B7M	4
7	NAME PLATE	STAINLESS STEEL	1



VALVE SIZE		L	d	D	L1	H	K	L2
DN	IN							
15	1/2"	111	Ø10	Ø21.8	10	98	1/2"	Ø15.5
20	3/4"	111	Ø14	Ø27.2	13	98	3/4"	Ø16.5
25	1"	120	Ø19	Ø33.9	13	104	1"	Ø19.5
32	1 1/4"	152	Ø25	Ø42.7	13	120	1 1/4"	Ø21
40	1 1/2"	172	Ø29	Ø48.8	13	140	1 1/2"	Ø21
50	2"	220	Ø35	Ø61.2	16	158	2"	Ø23

NO.	DATE	DESCRIPTION	PRP'D	REV'D	APP'D	MARKING SYSTEM	MSS-SP-25	INSPECTION & TEST: API 598
						FACE TO FACE	API 602	SHELL HYDRO 5598PSI
						WALL THICKNESS	BS1868	SEAT AIR 80PSI
						DESIGNED	API 602	BACK SEAT HYDRO 4100PSI
								NACE MR 0175



WILLIAM E. WILLIAMS
VALVE CORPORATION

38-52 REVIEW AVENUE
LONG ISLAND CITY, NY 11101

TEL: 718-392-1660
FAX: 718-729-5106

WWW.WILLIAMSVALVE.COM

TITLE: FORGED STEEL BOLTED BONNET BALL CHECK VALVE - CLASS 1500 - API TRIM 8

MATERIAL: A105N		UNITS: Inch, mm
CLASS: 1500	DATE: 01/01/12	SCALE: N.T.S.
SIZE: 1/2 - 2"		FIG. No.:
DRAWN BY: F.J.		F1501BTXS-2N (sw. by thr. ends) F1501BSW-2N (sw. ends) F1501BT-2N (thr. ends)
CHK'D & APR'D BY: R.P.	REV: 1	DWG No.: 50BC120273