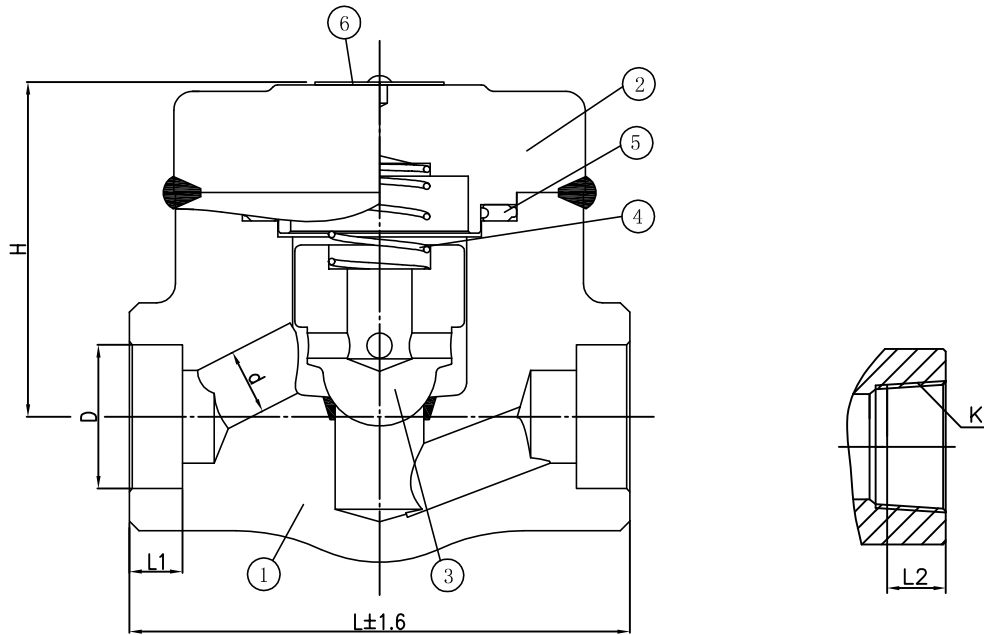


Class 800 Welded Bonnet Ball Check Valve A105N (API Trim 8) NACE



BILL OF MATERIALS

ITEM	PART NAME	MATERIAL	QTY
1	BODY	A105N + HF	1
2	COVER	A105N	1
3	BALL DISC	A276-420	1
4	SPRING	304 SS	1
5	GASKET	F304+Graphite	1
6	NAME PLATE	STAINLESS STEEL	1

VALVE SIZE		L	d	D	L1	H	K	L2
DN	IN							
15	1/2"	79	Ø10	Ø21.8	10	62	1/2"	Ø15.5
20	3/4"	92	Ø13	Ø27.2	13	63	3/4"	Ø16.5
25	1"	111	Ø18	Ø33.9	13	78	1"	Ø19.5
32	1 1/4"	120	Ø23	Ø42.7	13	82	1 1/4"	Ø21
40	1 1/2"	152	Ø29	Ø48.8	13	102	1 1/2"	Ø21
50	2"	172	Ø36	Ø61.2	16	172	2"	Ø23

NO.	DATE	DESCRIPTION	PRP'D	REV'D	APP'D	MARKING SYSTEM	MSS-SP-25	INSPECTION & TEST: API 598
						FACE TO FACE	API 602	SHELL HYDRO 2975PSI
						WALL THICKNESS	BS1868	SEAT AIR 80PSI
						DESIGNED	API 602	BACK SEAT HYDRO 2175PSI
								NACE MR 0175

WILLIAM E. WILLIAMS
VALVE CORPORATION

38-52 REVIEW AVENUE
LONG ISLAND CITY, NY 11101

TEL: 718-392-1660
FAX: 718-729-5106

WWW.WILLIAMSVALVE.COM

TITLE: FORGED STEEL WELDED BONNET BALL CHECK VALVE - CLASS 800 - API TRIM 8

MATERIAL: A105N		UNITS: Inch, mm
CLASS: 800	DATE: 01/01/12	SCALE: N.T.S.
SIZE: 1/2 - 2"		FIG. No.: F801BTXS-2N WB (sw. by thr. ends) F801BSW-2N WB (sw. ends) F801BT-2N WB (thr. ends)
DRAWN BY: F.J.		
CHK'D & APR'D BY: R.P.	REV: 1	DWG No.: 50BC120272