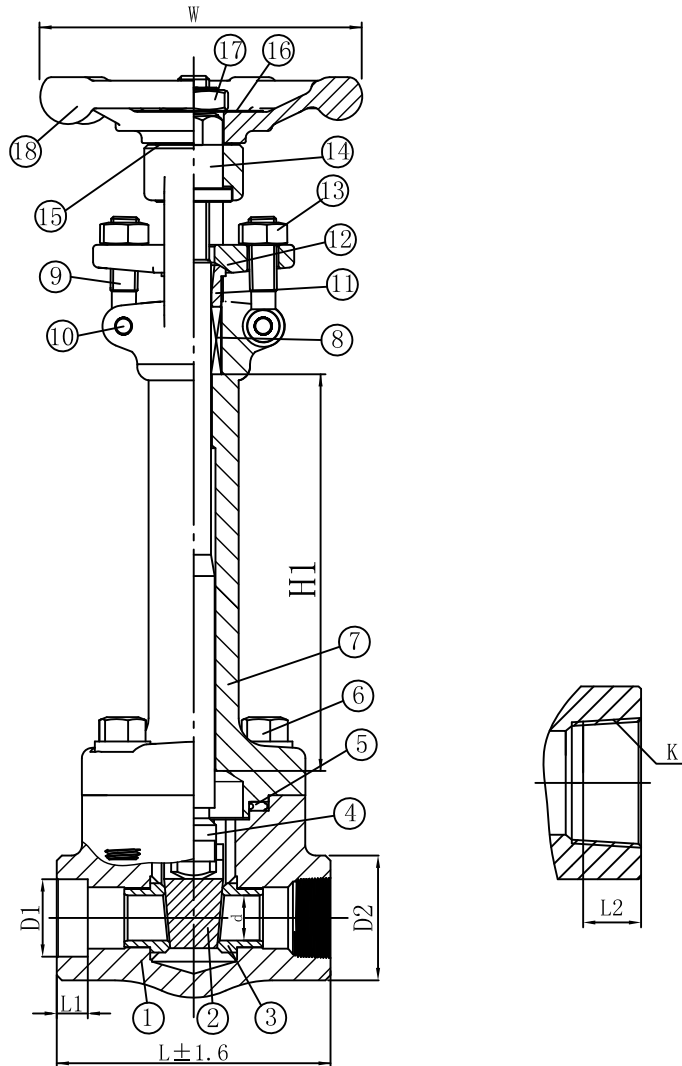


# Class 800 OS&Y Extended BB Cryogenic Gate Valve F316L (API Trim 12) NACE



SIZE	DN	in	d	L	W	D2	D1	H1	L1	K	L2
15	1/2		ø10	79	ø100	ø35	ø21.7	250	10	1/2	15.5
20	3/4		ø13	92	ø100	ø42	ø27.2	250	13	3/4	16.5
25	1		ø18	111	ø125	ø51	ø33.9	250	13	1	19.5
32	1 1/4		ø22	120	ø160	ø60	ø42.7	250	13	1 1/4	21
40	1 1/2		ø29	120	ø160	ø64	ø48.8	250	13	1 1/2	21
50	2		ø36	140	ø180	ø80	ø61.2	250	16	2	23

## BILL OF MATERIALS

NO.	PART NAME	MATERIAL	QTY
1	Body	A182 F316L	1
2	Disc	A276-F316	1
3	Seat ring	A276-F316 + HF	2
4	Stem	A276-F316	1
5	Gasket	F316+Graphite	1
6	Bonnet Bolt	A193-B8M	4
7	Bonnet	F316	1
8	Packing	GRAPHITE WITH CORROSION INHIBITOR AND DIE FORMED RINGS	1Set
9	Gland Bolt	A193-B8M	2
10	Gland Bolt Pin	A276-F316	2
11	Packing Flange	A276-F316	1
12	Gland Flange	F316	1
13	Nut	A194-8M	2
14	Stem Nut	A276-410	1
15	Washer	A276-410	2
16	Nameplate	STAINLESS STEEL	1
17	Hand Wheel Nut	A194-8MA	1
18	Hand Wheel	A197	1

WWW.WILLIAMSVALVE.COM

## WILLIAMS

VALVE CORPORATION

38-52 REVIEW AVENUE  
LONG ISLAND CITY, NY 11101

TEL: 718-392-1660  
FAX: 718-729-5106

**TITLE: FORGED STAINLESS STEEL EXTENDED BOLTED BONNET CRYOGENIC GATE VALVE - CLASS 800 - API TRIM 12**

MATERIAL: F316L		UNITS: Inch, mm
CLASS: 800	DATE: 05/02/13	SCALE: N.T.S.
SIZE: 1/2 - 2"		FIG. No.: FS80TYS-62N 316 EB (sw. by thr. ends) FS80SW-62N 316 EB (sw. ends) FS80T-62N 316 EB (thr. ends)
DRAWN BY: F.J.		
CHK'D & APR'D BY: R.P.		REV: 1
		DWG No.: 50GA120278

			MARKING SYSTEM	MSS-SP-25	INSPECTION & TEST: API 598		
			FACE TO FACE	API 602	SHELL	HYDRO	2400PSI
			WALL THICKNESS	API 602	SEAT	AIR	80PSI
			DESIGNED	API 602	BACK SEAT	HYDRO	1775PSI
			NACE MR 0175				
Δ	5/2/13	RELEASED	F.J.	R.P.	R.P.		
NO.	DATE	DESCRIPTION	PRP'D	REV'D	APP'D		