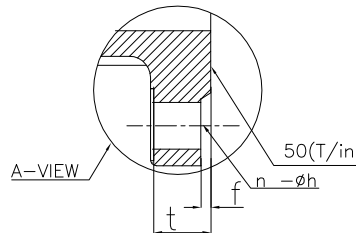
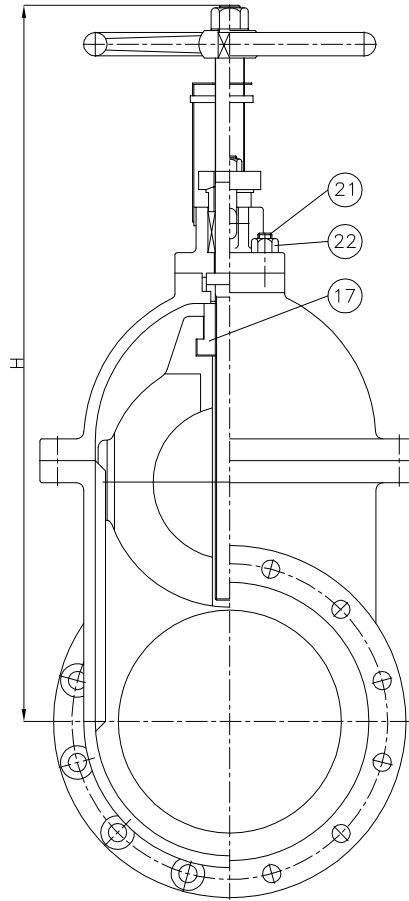
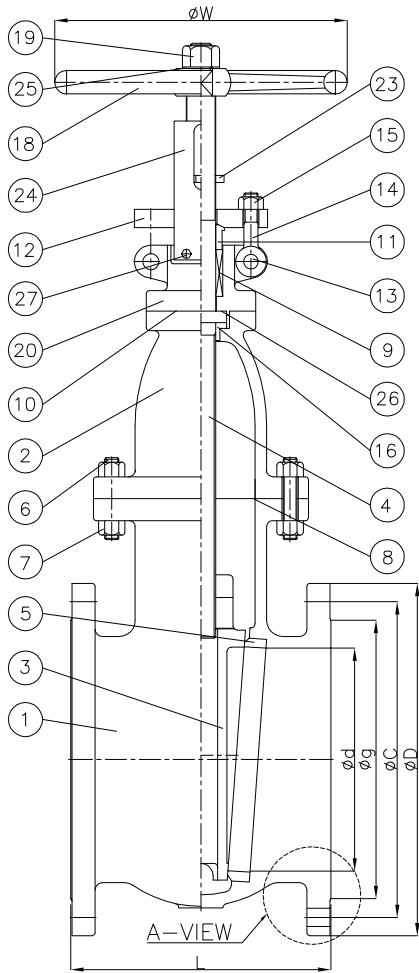


Wm. E. Williams No. N30F2N Class 300 RF NRS Gate Valve ASTM A 216 WCB (API Trim 8) NACE



BILL OF MATERIALS

NO.	PART NAME	MATERIAL	Q'TY
1	BODY	A216Gr WCB	1
2	BONNET	A216Gr WCB	1
3	DISC	A216Gr WCB + 13Cr Faced	1
4	STEM	A479Gr 410 SS	1
5	SEAT RING	A105N + HF	2
6	BONNET BOLT	A193Gr B7M	1SET
7	BONNET NUT	A194Gr 2HM	1SET
8	BONNET GASKET	304 + GRAPHITE	1
9	PACKING	GRAPHITE WITH CORROSION INHIBITOR AND DIE FORMED RINGS	1SET
10	P/BOX GASKET	TBA#2100	1
11	GLAND RING	A479Gr 410	1
12	GLAND FLANGE	WCB	1
13	HINGE PIN	410 SS	2
14	GLAND BOLT	A193Gr B7M	2
15	GLAND NUT	A194Gr 2HM	2
16	THRUST BUSH	410 SS	1
17	STEM NUT	D42	1
18	HAND WHEEL	A197	1
19	HANDLE NUT	A307Gr B	1
20	PACKING BOX	A216Gr WCB	1
21	BOX BOLT	A193Gr B7M	4
22	BOX NUT	A194Gr 2HM	4
23	INDICATOR	STEEL	2
24	INDICATOR PLATE	STEEL	1
25	HANDLE WASHER	STEEL	1
26	THRUST WASHER	410	1
27	PLATE BOLT	A307Gr B	2

NOTE:

1. FLEXIBLE WEDGE.

SIZE	d	L	D	C	g	t	f	n-h	W	H
2.00	2.00	8.50	6.50	5.00	3.63	0.88	0.060	8-0.75	7.00	13.00
3.00	3.00	11.12	8.25	6.625	5.00	1.12	0.060	8-0.87	7.87	14.75
4.00	4.00	12.00	10.00	7.875	6.18	1.25	0.060	8-0.87	8.87	17.25
6.00	6.00	15.88	12.50	10.63	8.50	1.44	0.060	12-0.87	12.50	21.25
8.00	8.00	16.50	15.00	13.00	10.62	1.62	0.060	12-1.00	12.50	26.50
10.00	10.00	18.00	17.50	15.25	12.75	1.88	0.060	16-1.12	14.00	32.00
12.00	12.00	19.75	20.50	17.75	15.00	2.00	0.060	16-1.25	15.75	36.00

Remark: Larger sizes available upon request.

						MARKING SYSTEM	MSS-SP-25	INSPECTION & TEST:	API 598	MATERIAL:	ASTM A216 GR.WCB	UNITS:	Inch, mm			
						END FLANGE DIM.	ANSI B16.5	SHELL	HYDRO	1125PSI	CLASS:	300	DATE:	01/01/12	SCALE:	N.T.S.
						FACE TO FACE	ANSI B16.10	SEAT	AIR	80PSI	SIZE:	2" - 12"	FIG. No.:	N30F-2N		
						WALL THICKNESS	API 600	BACK SEAT	HYDRO	815PSI	DRAWN BY:	F.J.				
NO.	DATE	DESCRIPTION	PRP'D	REV'D	APP'D	DESIGNED	API 600, ANSI B16.34	NACE MR	0175	CHK'D & APR'D BY:	R.P.	REV:	1	DWG No.:	60NRS GA120072	

WILLIAM E. WILLIAMS VALVE CORPORATION
 38-52 REVIEW AVENUE LONG ISLAND CITY, NY 11101
 TEL: 718-392-1660 FAX: 718-729-5106

TITLE: CAST STEEL NRS GATE VALVE CLASS 300 - API TRIM 8