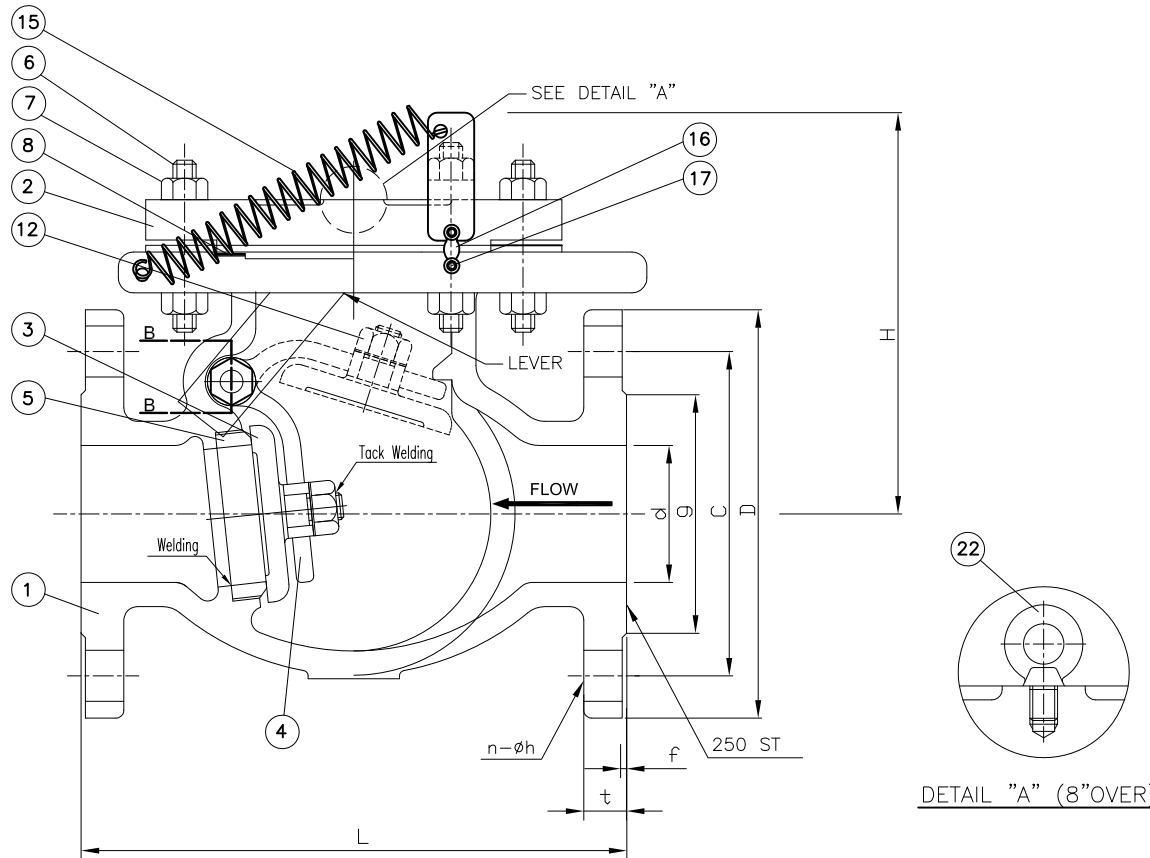


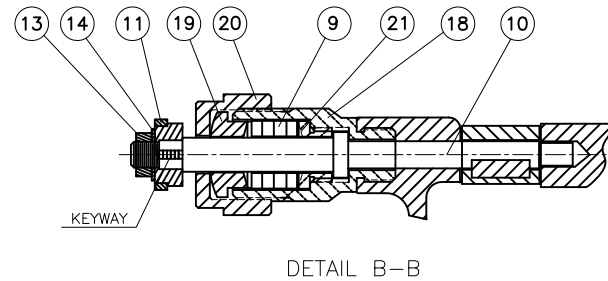
Wm. E. Williams No. PSL-2 Class 150 Emergency Shut-Off Valve ASTM A216 Gr WCB (API Trim 8)



BILL OF MATERIALS			
NO.	PART NAME	MATERIAL	Q'TY
1	BODY	A216Gr WCB	1
2	COVER	A216Gr WCB	1
3	DISC	A216Gr WCB W/Cr13 Face	1
4	ARM	A216Gr WCB	1
5	SEAT RING	A105 With Cr13 Face	1
6	COVER BOLT	A193Gr B7	1SET
7	COVER NUT	A194Gr 2H	1SET
8	GASKET	GRAPHITE	1
9	PACKING	GRAPHITE	1
10	HINGE PIN	A479Gr 410	1
11	LEVER	Cold Rolled Steel	1
12	DISC NUT	A194Gr 2H	1
13	LEVER NUT	A194Gr 2H	1
14	WASHER	STEEL	1
15	SPRING	MUSIC WIRE	1
16	FUSIBLE LINK (165°)		2
17	PIN	SS 18-8	2
18	PACKER BOX	Carbon Steel	1
19	PACKING GLAND	410	1
20	PACKING NUT	Carbon Steel	1
21	RETAINER	Steel	1
22	EYE BOLT	A193Gr B7	1

SIZE	d	L	D	C	g	t	f	n-h	H
2.00	2.00	8.00	6.00	4.75	3.625	0.63	0.060	4-0.75	6.00
2.50	2.50	8.50	7.00	5.50	4.125	0.69	0.060	4-0.75	6.00
3.00	3.00	9.50	7.50	6.00	5.000	0.75	0.060	4-0.75	6.25
4.00	4.00	11.50	9.00	7.50	6.187	0.94	0.060	8-0.75	7.62
5.00	5.00	13.00	10.00	8.50	7.320	0.94	0.060	8-0.87	7.62
6.00	6.00	14.00	11.00	9.50	8.500	1.00	0.060	8-0.87	9.50
8.00	8.00	19.50	13.50	11.75	10.62	1.13	0.060	8-0.87	11.50
10.00	10.00	24.50	16.00	14.25	12.75	1.19	0.060	12-1.00	13.50
12.00	12.00	27.50	19.00	17.00	15.00	1.25	0.060	12-1.00	15.00
14.00	13.25	31.00	21.00	18.75	16.25	1.38	0.060	12-1.12	15.75
16.00	15.25	34.00	23.50	21.25	18.50	1.44	0.060	16-1.12	17.25
18.00	17.25	38.50	25.00	22.75	21.00	1.57	0.060	16-1.25	19.80
20.00	19.25	38.50	27.50	25.00	23.00	1.69	0.060	20-1.25	21.30
24.00	23.25	51.00	32.00	29.50	27.25	1.88	0.060	20-1.37	26.58

Remark: Larger sizes available upon request.



					MARKING SYSTEM	MSS-SP-25	INSPECTION & TEST: API 598	MATERIAL: ASTM A216 Gr. WCB	UNITS: Inch, mm				
Δ	12/3/12	RE-RELEASED	F.J.	R.P.	R.P.	DIM.OF FLANGE	ANSI B16.5	SHELL	HYDRO	450PSI	CLASS: 150	DATE: 01/01/12	SCALE: N.T.S.
Δ	1/1/12	RELEASED	F.J.	R.P.	R.P.	FACE TO FACE	ANSI B16.10	SEAT	AIR	80PSI	SIZE: 2" - 24"	FIG.No.:	PSL-2
						WALL THICKNESS	ANSI B16.34	BACK SEAT	HYDRO	315PSI	DRAWN BY: F.J.		
NO.	DATE	DESCRIPTION	PRP'D	REV'D	APP'D	DESIGNED	BS1868, ANSI B16.34	CHK'D & APR'D BY: R.P.	REV: 2	DWG No.:	60ESOV120005		

WILLIAM E. WILLIAMS VALVE CORPORATION
 38-52 REVIEW AVENUE LONG ISLAND CITY, NY 11101
 TEL: 718-392-1650 FAX: 718-729-5106
 WWW.WILLIAMSVALVE.COM

TITLE: CAST STEEL EMERGENCY SHUT-OFF VALVE WITH SPRING CLASS 150 - API TRIM 8 - WCB