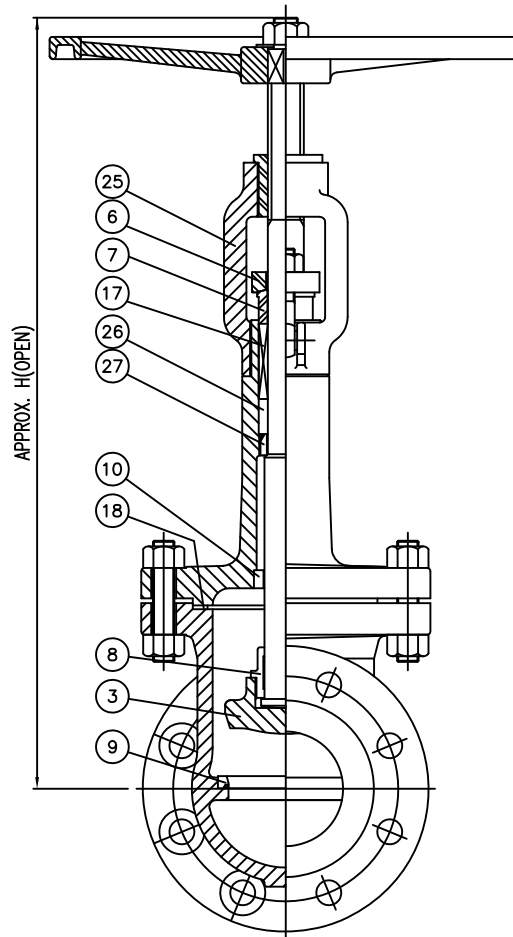
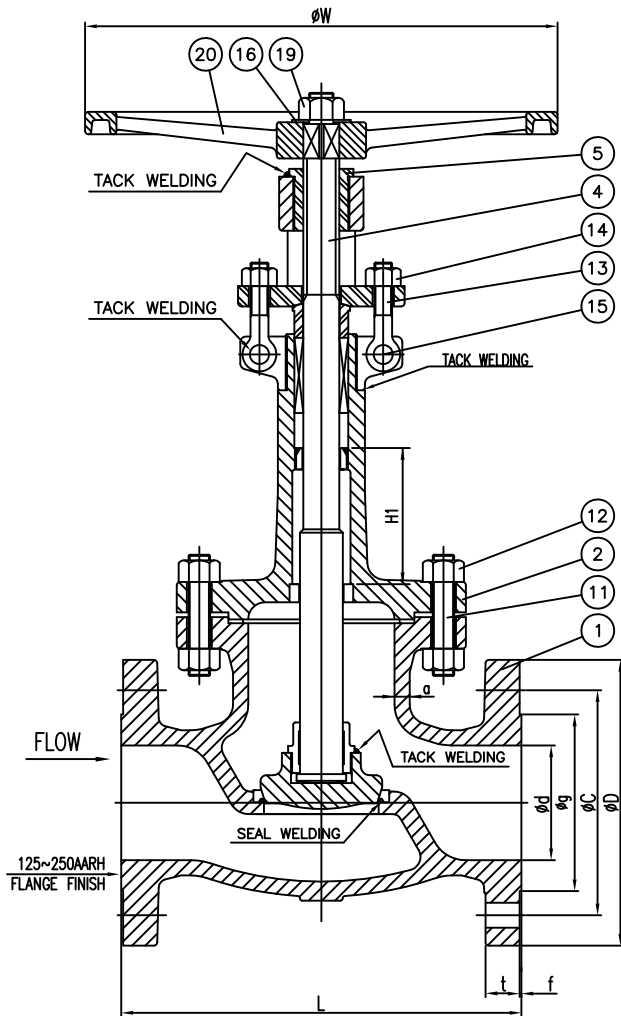


Wm. E. Williams No. S152F6 316 EB Class 150 RF OS&Y Globe Valve ASTM A351 CF8M (API TRIM 10)



BILL OF MATERIAL

NO.	PART NAME	MATERIAL	Q'TY
1	BODY	A351-CF8M	1
2	BONNET	A351-CF8M	1
3	DISC	A351-CF8M	1
4	STEM	A479-316	1
5	YOKE BUSH	A439-D2C	1
6	GLAND FLANGE	A351-CF8	1
7	PACKING GLAND	A479-316	1
8	DISC NUT	A479-316	1
9	SEAT RING	A182-F316	1
10	GUIDE RING	A479-316	1
11	BONNET BOLT	A320-B8	1SET
12	NUT	A194-8	1SET
13	HINGED EYE BOLT	A193-B8	2
14	NUT	A194-8	2
15	HINGE PIN	A479-304	2
16	WASHER	A240-304	1
17	PACKING	SEE NOTE 1	1SET
18	GASKET	SEE NOTE 1	1SET
19	HANDWHEEL NUT	A194-8	1
20	HANDWHEEL	A536	1
25	YOKE	A351-CF8M	1
26	BACKUP RING	A479-316	1
27	BACKSEAT RING	A479-316	1

NOTE:

1. GRAPHITE OR PTFE: (SPECIFY WHEN ORDERED)

UNIT : mm

SIZE (Inch)	L	d	Min a	FLANGE						W	H (open)	H1
				D	C	g	t	f	n-h			
2"	203.2	50.8	8.6	152.4	120.7	92.0	15.8	1.6	4-19.1	200	579	250
3"	241.3	76.2	10.4	190.5	152.4	127.0	19.1	1.6	4-19.1	250	675	250
4"	292.1	101.6	11.2	228.6	190.5	157.2	23.9	1.6	8-19.1	315	808	350
8"	495.3	203.2	12.7	342.9	298.5	269.7	27.5	1.6	8-22.4	450	1218	500

Remark: Other sizes available.

WILLIAM E. WILLIAMS VALVE CORPORATION
 38-52 REVIEW AVENUE LONG ISLAND CITY, NY 11101
 TEL: 718-392-1660 FAX: 718-729-5106

TITLE: S.S. CRYOGENIC SERVICE GLOBE VALVE CLASS 150 - API TRIM 10 - RF - EXTENDED BONNET

MATERIAL: A351-CF8M	UNITS: Inch, mm
CLASS: 150	DATE: 07/24/15
SCALE: N.T.S.	FIG. No.: S152F-6 316 EB
SIZE: 2" - 8"	DRAWN BY: F.J.
FACE TO FACE: ANSI B16.10	BACK SEAT: HYDRO
SEAT: AIR	HYDRO: 325PSI
INSPECTION & TEST: API 598	CHK'D & APR'D BY: R.P.
MSS-SP-25	REV: 1
ANSI B16.5	DWG No.: 11GL120136-66
SHELL: HYDRO	
425PSI	
N/A	
BS 1873, ANSI B16.34	