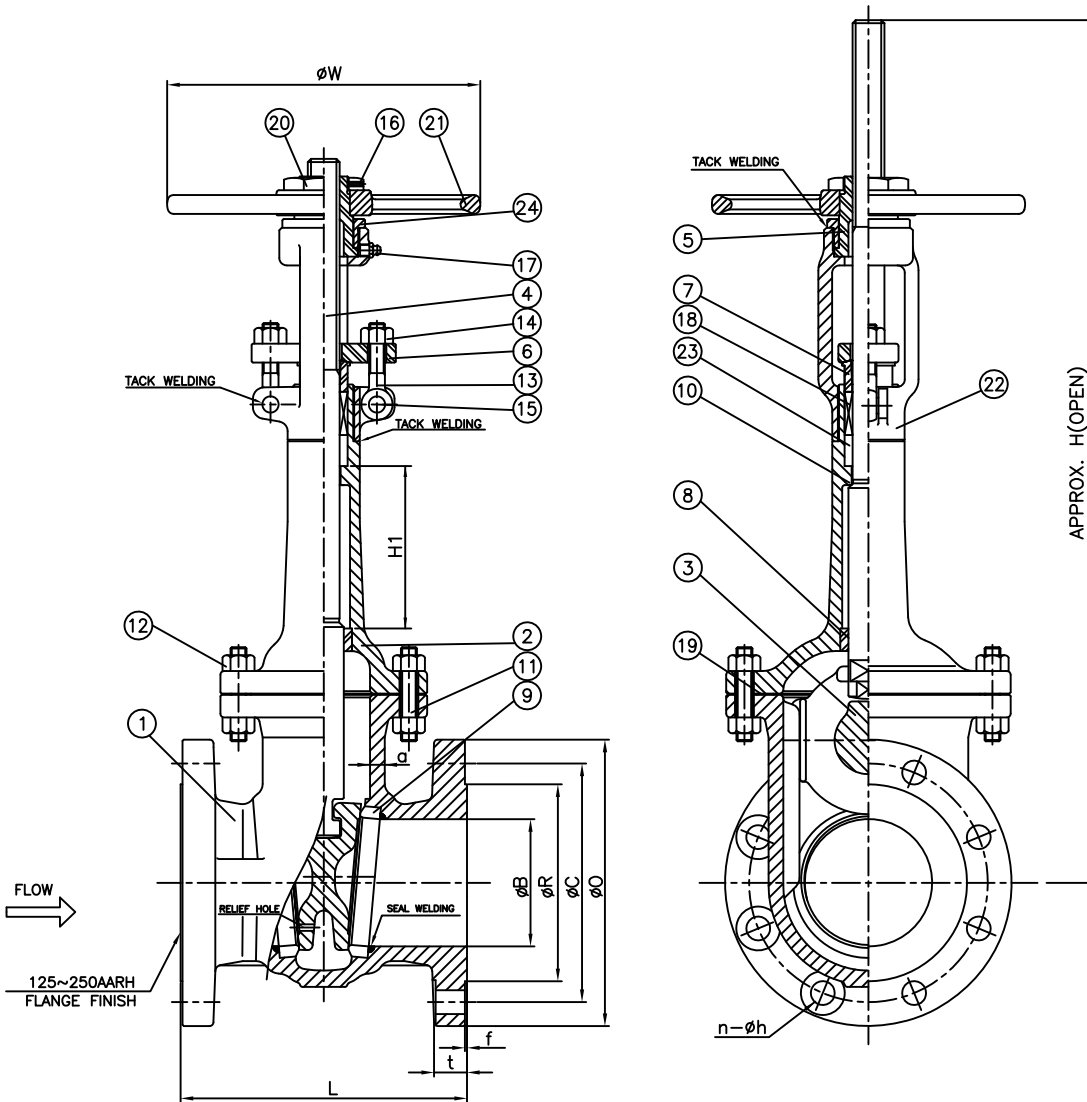


Wm. E. Williams No. S15F6 316 EB Class 150 RF OS&Y Gate Valve ASTM A351 CF8M (API TRIM 10)



BILL OF MATERIAL			
NO.	PART NAME	MATERIAL	Q'TY
1	BODY	A351-CF8M	1
2	BONNET	A351-CF8M	1
3	WEDGE	A351-CF8M	1
4	STEM	A479-316	1
5	YOKE SLEEVE	A439-D2C	1
6	GLAND FLANGE	A351-CF8	1
7	PACKING GLAND	A479-316	1
8	GUIDE RING	A479-316	1
9	SEAT RING	A182-F316	2
10	BACKSEAT RING	A479-316	1
11	BONNET BOLT	A193-B8	1SET
12	NUT	A194-8	1SET
13	EYE BOLT	A193-B8	2
14	NUT	A194-8	2
15	HINGE PIN	A479-304	2
16	SET SCREW	SS304	1
17	GREASE NIPPLE	SS304	1
18	PACKING	SEE NOTE 1	1SET
19	GASKET	SEE NOTE 1	1
20	HANDWHEEL NUT	A479-304	1
21	HANDWHEEL	A536	1
22	YOKE	A351-CF8M	1
23	BACKUP RING	A479-316	1
24	YOKE CAP	A351-CF8	1

NOTE:

1. GRAPHITE OR PTFE: (SPECIFY WHEN ORDERED)

SIZE (Inch)	B	L	FLANGE						W	H (OPEN)	H1	Min. a
			O	C	R	t	f	n-h				
2"	50.8	177.8	152.4	120.7	91.9	15.8	1.6	4-19.1	200	615	250	8.6

Remark: Other sizes available.

						MARKING SYSTEM	MSS-SP-25	INSPECTION & TEST: API 598			MATERIAL: A351-CF8M	UNITS: Inch, mm	
						DIM.OF FLANGE	ANSI B16.5	SHELL	HYDRO	425PSI	CLASS: 150	DATE: 07/21/15	SCALE: N.T.S.
						FACE TO FACE	ANSI B16.10	SEAT	AIR	80PSI	SIZE: 2"	FIG. No.:	S15F-6 316 EB
								BACK SEAT	HYDRO	325PSI	DRAWN BY: F.J.		
NO.	DATE	DESCRIPTION	PRP'D	REV'D	APP'D	DESIGNED	API 603, ANSI B16.34				CHK'D & APR'D BY: R.P.	REV: 1	DWG No.: 11GA120031-2-66

WILLIAM E. VALVE CORPORATION
 38-52 REVIEW AVENUE
 LONG ISLAND CITY, NY 11101
 TEL: 718-392-1660
 FAX: 718-729-5106

TITLE: STAINLESS STEEL CRYOGENIC GATE VALVE
 CLASS 150 - API TRIM 10 - R,F B,B OS&Y