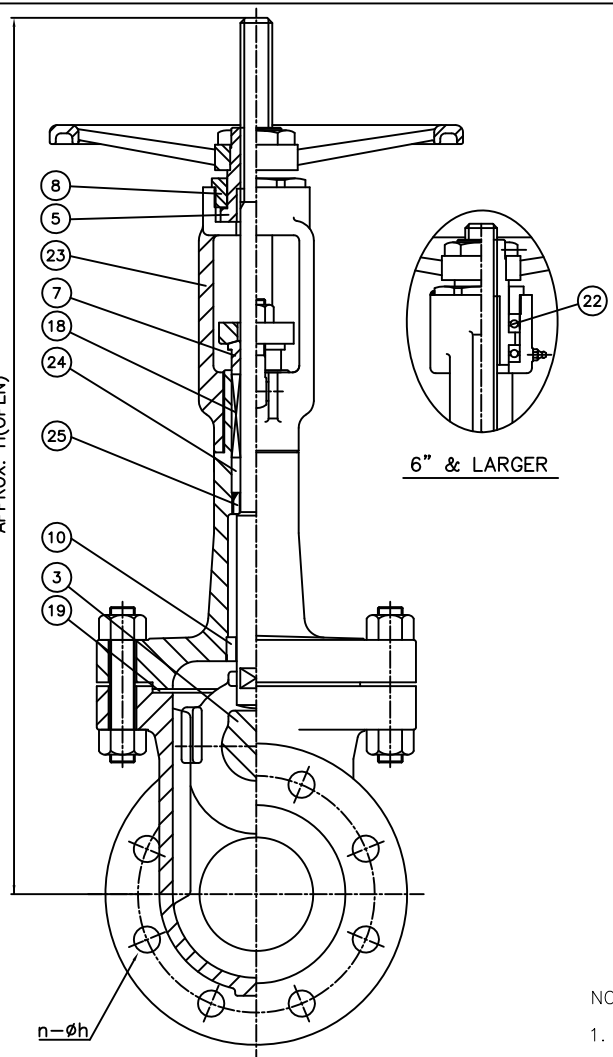
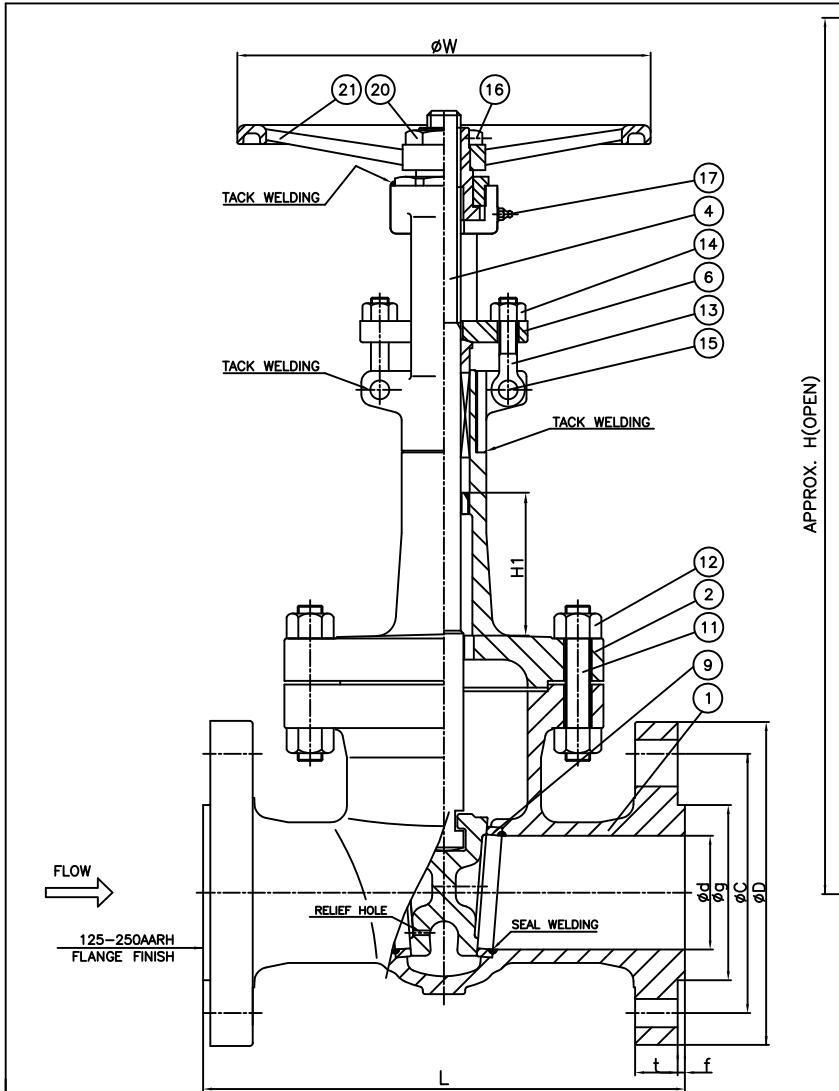


Wm. E. Williams No. S60F6 316 EB Class 600 RF OS&Y Gate Valve ASTM A351 CF8M (API TRIM 10)



BILL OF MATERIAL			
NO.	PART NAME	MATERIAL	Q'TY
1	BODY	A351-CF8M	1
2	BONNET	A351-CF8M	1
3	DISC	A351-CF8M	1
4	STEM	A479-316	1
5	YOKE SLEEVE	A439-D2C	1
6	GLAND FLANGE	A351-CF8	1
7	PACKING GLAND	A479-316	1
8	YOKE CAP	A351-CF8	1
9	SEAT RING	A182-F316	1
10	GUIDE RING	A479-316	1
11	BONNET BOLT	A320-B8	1SET
12	NUT	A194-8	1SET
13	HINGED EYE BOLT	A193-B8	2
14	NUT	A194-8	2
15	HINGE PIN	A479-304	2
16	SET SCREW	SS304	1
17	GREASE NIPPLE	SS304	1
18	PACKING	SEE NOTE 1	1SET
19	GASKET	SEE NOTE 1	1
20	HANDWHEEL NUT	A479-304	1
21	HANDWHEEL	A536	1
22	THRUST BALL BEARING	STEEL	2
23	YOKE	A351-CF8M	1
24	BACKUP RING	A479-316	1
25	BACKSEAT RING	A479-316	1

NOTE:

1. GRAPHITE OR PTFE: (SPECIFY WHEN ORDERED)

SIZE	L	d	FLANGE						W	H1	H
			D	C	g	t	f	n-h			
2"	11.50	2.00	6.50	5.00	3.62	1.00	0.25	8-0.87	7.87	7.87	22.28
3"	14.00	3.00	8.25	6.62	5.00	1.25	0.25	8-0.87	12.50	9.84	29.13
4"	17.00	4.00	10.75	8.50	6.18	1.50	0.25	8-1.00	14.00	13.77	38.38
6"	22.00	6.00	14.00	11.50	8.50	1.87	0.25	12-1.12	19.68	13.77	49.72

Remark: Larger sizes available upon request.

						MARKING SYSTEM	MSS-SP-25	INSPECTION & TEST: API 598	MATERIAL: A351-CF8M	UNITS: Inch, mm	
						DIM.OF FLANGE	ANSI B16.5	SHELL HYDRO 2175PSI	CLASS: 600	DATE: 05/06/13	SCALE: N.T.S.
						FACE TO FACE	ANSI B16.10	SEAT AIR 80PSI	SIZE: 2" - 6"		FIG. No.: S60F-6 316 EB
								BACK SEAT HYDRO 1600PSI	DRAWN BY: F.J.		
NO.	DATE	DESCRIPTION	PRP'D	REV'D	APP'D	DESIGNED	API 603, ANSI B16.34		CHK'D & APR'D BY: R.P.	REV: 1	DWG No.: 11GA120033-11

WILLIAM E. WILLIAMS VALVE CORPORATION
 38-52 REVIEW AVENUE LONG ISLAND CITY, NY 11101
 TEL: 718-392-1660 FAX: 718-729-5106

TITLE: STAINLESS STEEL CRYOGENIC GATE VALVE CLASS 600 - API TRIM 10 - R, F B, B OS&Y