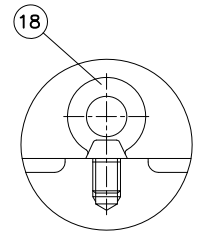
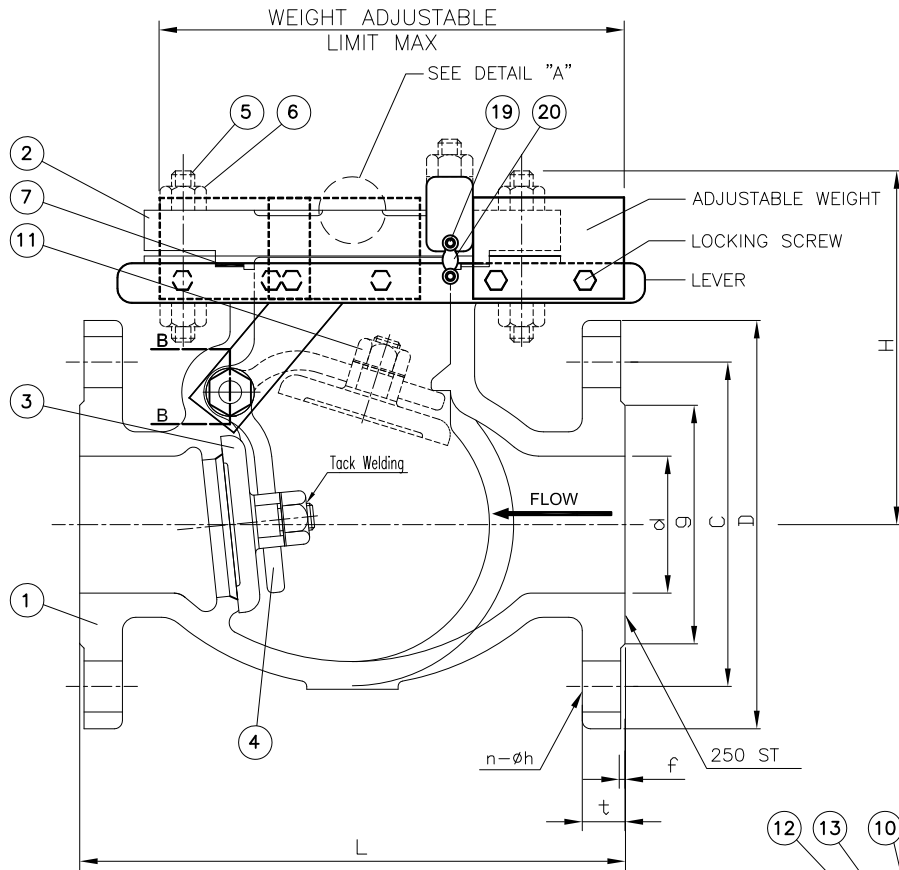
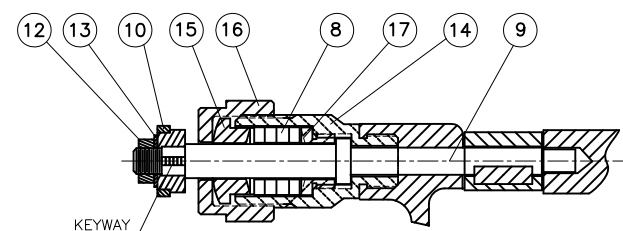


Wm. E. Williams No. SPL-6 Class 150 Emergency Shut-Off Valve ASTM A351-CF8M (API Trim 10)



DETAIL "A" (8" OVER)



DETAIL B-B

| BILL OF MATERIALS | | | |
|-------------------|---------------------|-----------|------|
| NO. | PART NAME | MATERIAL | Q'TY |
| 1 | BODY | A351-CF8M | 1 |
| 2 | COVER | A351-CF8M | 1 |
| 3 | DISC | A351-CF8M | 1 |
| 4 | ARM | A351-CF8M | 1 |
| 5 | COVER BOLT | A193Gr B8 | 1SET |
| 6 | COVER NUT | A194Gr 8 | 1SET |
| 7 | GASKET | GRAPHITE | 1 |
| 8 | PACKING | GRAPHITE | 1 |
| 9 | HINGE PIN | A276-316 | 1 |
| 10 | LEVER | A276-304 | 1 |
| 11 | DISC NUT | A194Gr 8 | 1 |
| 12 | LEVER NUT | A194Gr 8 | 1 |
| 13 | WASHER | A240-316 | 1 |
| 14 | PACKER BOX | S.S. | 1 |
| 15 | PACKING GLAND | A276-316 | 1 |
| 16 | PACKING NUT | A276-316 | 1 |
| 17 | RETAINER | A276-316 | 1 |
| 18 | EYE BOLT | A193Gr B8 | 1 |
| 19 | PIN | SS 18-8 | 2 |
| 20 | FUSIBLE LINK (165') | | 2 |

| SIZE | d | L | D | C | g | t | f | n-h | H |
|-------|-------|-------|-------|-------|-------|------|-------|---------|-------|
| 2.00 | 2.00 | 8.00 | 6.00 | 4.75 | 3.625 | 0.63 | 0.060 | 4-0.75 | 6.00 |
| 2.50 | 2.50 | 8.50 | 7.00 | 5.50 | 4.125 | 0.69 | 0.060 | 4-0.75 | 6.00 |
| 3.00 | 3.00 | 9.50 | 7.50 | 6.00 | 5.000 | 0.75 | 0.060 | 4-0.75 | 6.25 |
| 4.00 | 4.00 | 11.50 | 9.00 | 7.50 | 6.187 | 0.94 | 0.060 | 8-0.75 | 7.62 |
| 5.00 | 5.00 | 13.00 | 10.00 | 8.50 | 7.320 | 0.94 | 0.060 | 8-0.87 | 7.62 |
| 6.00 | 6.00 | 14.00 | 11.00 | 9.50 | 8.500 | 1.00 | 0.060 | 8-0.87 | 9.50 |
| 8.00 | 8.00 | 19.50 | 13.50 | 11.75 | 10.62 | 1.13 | 0.060 | 8-0.87 | 11.50 |
| 10.00 | 10.00 | 24.50 | 16.00 | 14.25 | 12.75 | 1.19 | 0.060 | 12-1.00 | 13.50 |
| 12.00 | 12.00 | 27.50 | 19.00 | 17.00 | 15.00 | 1.25 | 0.060 | 12-1.00 | 15.00 |
| 14.00 | 13.25 | 31.00 | 21.00 | 18.75 | 16.25 | 1.38 | 0.060 | 12-1.12 | 15.75 |
| 16.00 | 15.25 | 34.00 | 23.50 | 21.25 | 18.50 | 1.44 | 0.060 | 16-1.12 | 17.25 |

Remark: Larger sizes available upon request.

| | | | | | | | | | |
|-----|---------|-------------|-------|-------|-------|----------------|---------------------|----------------------------|-----------------------|
| NO. | DATE | DESCRIPTION | PRP'D | REV'D | APP'D | DESIGNED | BS1868, ANSI B16.34 | MATERIAL: A351-CF8M | UNITS: Inch, mm |
| Δ | 8/27/13 | RE-RELEASED | F.W. | R.P. | R.P. | MARKING SYSTEM | MSS-SP-25 | INSPECTION & TEST: API 598 | CLASS: 150 |
| Δ | 1/1/12 | RELEASED | F.W. | R.P. | R.P. | DIM.OF FLANGE | ANSI B16.5 | SHELL | HYDRO |
| | | | | | | FACE TO FACE | ANSI B16.10 | SEAT | AIR |
| | | | | | | WALL THICKNESS | ANSI B16.34 | BACK SEAT | HYDRO |
| | | | | | | | | DATE: 01/01/12 | SCALE: N.T.S. |
| | | | | | | | | SIZE: 2" - 16" | FIG. No.: SPL-6 |
| | | | | | | | | DRAWN BY: F.J. | |
| | | | | | | | | CHK'D & APR'D BY: R.P. | REV: 2 |
| | | | | | | | | | DWG No.: 11ESOV120011 |

WILLIAM E. VALVE CORPORATION
 38-52 REVIEW AVENUE
 LONG ISLAND CITY, NY 11101
 TEL: 718-392-1660
 FAX: 718-729-5105

TITLE: STAINLESS STEEL EMERGENCY SHUT-OFF VALVE WITH ADJUSTABLE WEIGHT - CLASS 150 - API TRIM 10